

# SCG2500 Synchronous Clock Generators



2111 Comprehensive Drive  
Aurora, Illinois 60505  
Phone: 630-851-4722  
Fax: 630-851-5040  
[www.conwin.com](http://www.conwin.com)



## General Description

The SCG2500 is a mixed-signal phase lock loop generating CMOS outputs from an intrinsically low jitter voltage controlled crystal oscillator.

The SCG2500 can lock to one of two possible input reference frequencies at 8 kHz which is selectable using one input select pin.

Further features include an alarm output to indicate Loss of Reference, LOR, or Loss of Lock, LOL. If only one of the references is lost, the unit will disable its phase detector and will signal an alarm, but will not switch reference automatically. If both references are lost, the SCG2500 will enter a Free Run state which will guarantee a 20 ppm accurate output. Additionally, the Free Run mode may be entered manually by applying a high signal to the Force Free Run pin. If the unit is in Free Run mode, the Free Run status pin will be high.

All outputs, except the Oscillator Output, may be put into the tri-state high impedance condition for external testing purposes by applying a high signal to the Reset/Tri-State pin.

The filtered 8 kHz is derived from the oscillator output. The offset between the filtered output and the reference input will change with each reference rearrangement.

The package maximum dimensions are .780" x .830" x .35" on a six layer FR4 board with surface mount pins. Parts are assembled using high temperature solder to withstand surface mount reflow process.

## Features

- Phase Locked Output Frequency Control
- Intrinsically Low Jitter Crystal Oscillator
- Two Selectable References @ 8 kHz
- Alarm Output
- Tri-Statable Alarm Outputs and Reference Output
- Force Free Run Function
- Automatic Free Run Operation upon loss of both references
- Input Duty Cycle Tolerant
- 3.3 Volt Power Supply
- Small Size: 0.78" x 0.83" x 0.35" maximum
- Surface Mount, DIL Package

US Headquarters:  
630-851-4722  
European Headquarters:  
+353-61-472221

## Absolute Maximum Rating

Table 1

Symbol	Parameter	Minimum	Nominal	Maximum	Units	Notes
$V_{CC}$	Power Supply Voltage	-0.5	-	+4.0	Volts	
$V_I$	Input Voltage	-0.5	-	+5.5	Volts	
$T_S$	Storage Temperature	-65.0	-	+150.0	°C	

## Operating Specifications

Table 2

Parameter	Specifications	Notes
Voltage	3.3V $\pm$ 5%	1.0
Current	150 mA @ 3.46V	
Oscillator Output Frequencies	1.544, 2.048, 19.44, 20.48, 44.736, 51.84, and 77.76 MHz	
Temperature Range	0 to 70°C	
Input Frequency Ref 1 and Ref 2	8 kHz	2.0
Input Jitter Tolerance <i>(Jitter Frequencies <math>\geq</math> 10 Hz)</i>	$\geq$ 31.25us Typical	
Jitter Bandwidth	< 10 Hz	
Acquisition Time	Approximately 1 second	3.0
Capture/Pull-In Range	$\pm$ 25 ppm Minimum	
Output Duty Cycle	40/60 % Min/Max @ 50% Level	
Output Rise and Fall Time	3 nS @ 20% to 80% output level	
Output Load	30 pF	
Alarm	LOR/LOL Status Signal Output	
Free Run Accuracy	$\pm$ 20 ppm	
Package	Fr4 SM 0.78" x 0.83" x 0.350" (Maximum)	
MTIE @ Synchronization Rearrangement	GR-253-CORE, 1999 R5-136	4.0, 4.1

## Input and Output Characteristics

Table 3

Symbol	Parameter	Minimum	Nominal	Maximum	Units	Notes
$V_{IH}$	High level input voltage	2.0	-	5.5	V	
$V_{IL}$	Low level input voltage	0	-	0.8	V	
$T_{IO}$	I/O to output valid	-	-	10	nS	
$C_{OUT}$	Output capacitance	-	-	10	pF	
$V_{HO}$	High level output voltage $I_{OH} = -4mA$	2.40	-	-	-	Vcc Min
$V_{IO}$	Low Level output voltage $I_{O1} = 8mA$	-	-	0.4	-	Vcc Max
$T_{IR}$	Input reference signal pulse width	30	-	-	nS	

## Output Jitter Specifications

Table 4

All SCG2500 Models (Ver. 2)

Frequency (MHz)	Jitter BW 10 Hz - 1 MHz		SONET Jitter BW 12 kHz - 20 MHz	
	pS (RMS)	m UI	pS (RMS)	m UI
1.544	30 Typ.	0.046 Typ.	4 Typ.	0.006 Typ.
2.048	30 Typ.	0.061 Typ.	4 Typ.	0.008 Typ.
19.44	10 Typ.	0.194 Typ.	1 Max., 0.5 Typ.	0.019 Max.
20.48	10 Typ.	0.205 Typ.	1 Max., 0.5 Typ.	0.020 Max.
34.368	10 Typ.	0.344Typ.	1 Max., 0.5 Typ.	0.034Max.
44.736	10 Typ.	0.447Typ.	1 Max., 0.5 Typ.	0.045 Max.
51.84	10 Typ.	0.518 Typ.	1 Max., 0.5 Typ.	0.052 Max.
77.76	10 Typ.	0.778Typ.	1 Max., 0.5 Typ.	0.078 Max.

## Input Selection / Output Response

Table 5

All SCG2500 Models

Reset/ Tri-State	INPUTS				OUPUTS				Notes
	SEL <sub>AB</sub>	REF <sub>A</sub>	REF <sub>B</sub>	FR	FR <sub>status</sub>	Alarm	Oscillator Output	8 kHz Output	
1	X	X	X	X	TS	TS	FR	TS	
0	X	X	X	1	1	1	FR	FR	
0	0	A	A	0	0	0	LRA	LRAD	
0	1	NA	A	0	0	0	LRB	LRBD	
0	0	NA	A	0	0	1	U	U	5.0
0	1	A	NA	0	0	1	U	U	5.0
0	0	A	NA	0	0	0	LRA	LRAD	
0	X	NA	NA	0	1	1	FR	FR	

TS = Tri-State                      U = Unstable  
 FR = Free Run                      LRAD = Locked to Ref A and divided down  
 LRA = Locked to Ref A            LRAB = Locked to ref B and divided down  
 LRB = Locked to Reb B          X = Don't care

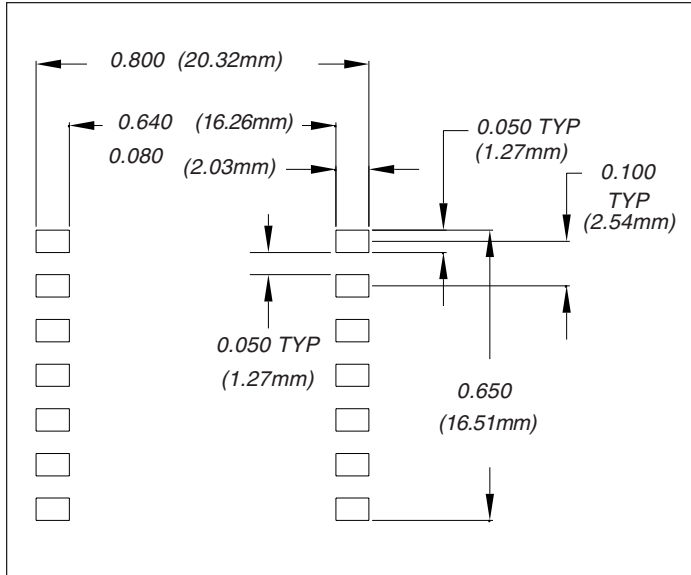
**NOTES:**

- 1.0 Requires external regulation
- 2.0 Externally selectable via Input Select AB
- 3.0 From a 20 ppm offset in reference frequency
- 4.0 Entry into Free Run doesn't meet requirement for initial 2.33 seconds of self-timing
- 4.1 If the selected reference is removed, system response to the ALARM must be less than 10µs
- 5.0 On alarm assertion, switch references. If alarm is still active, force Free Run



## Circuit Board Footprint

Figure 1



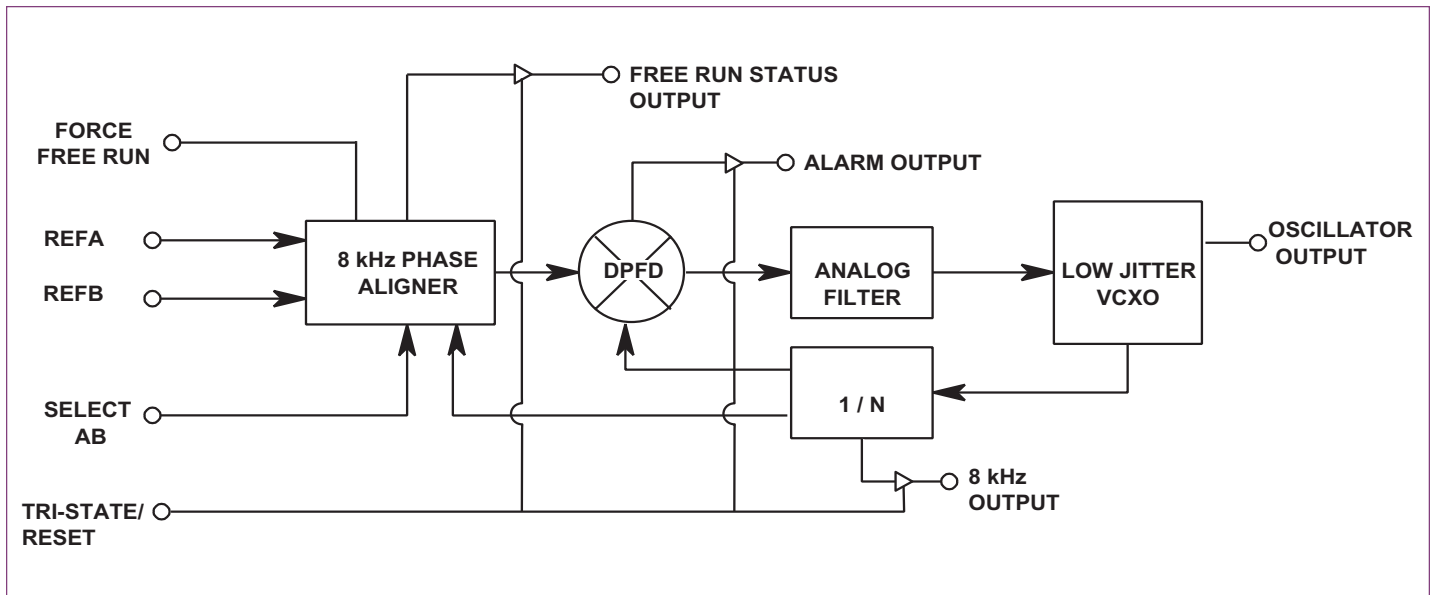
## Pin Connections

Table 6

Pin	Connection
1	Filtered 8 kHz Output
2	TCK
3	TMS
4	Ground
5	Force Free Run / TDI (1 = Free Run)
6	Alarm Output (1 = Alarm)
7	REF B
8	REF A
9	Oscillator Output
10	Free Run Status Output (FR = 1)
11	Vcc
12	TDO
13	Reset / Tri-State
14	Input Reference Select AB (A = 0, B = 1)

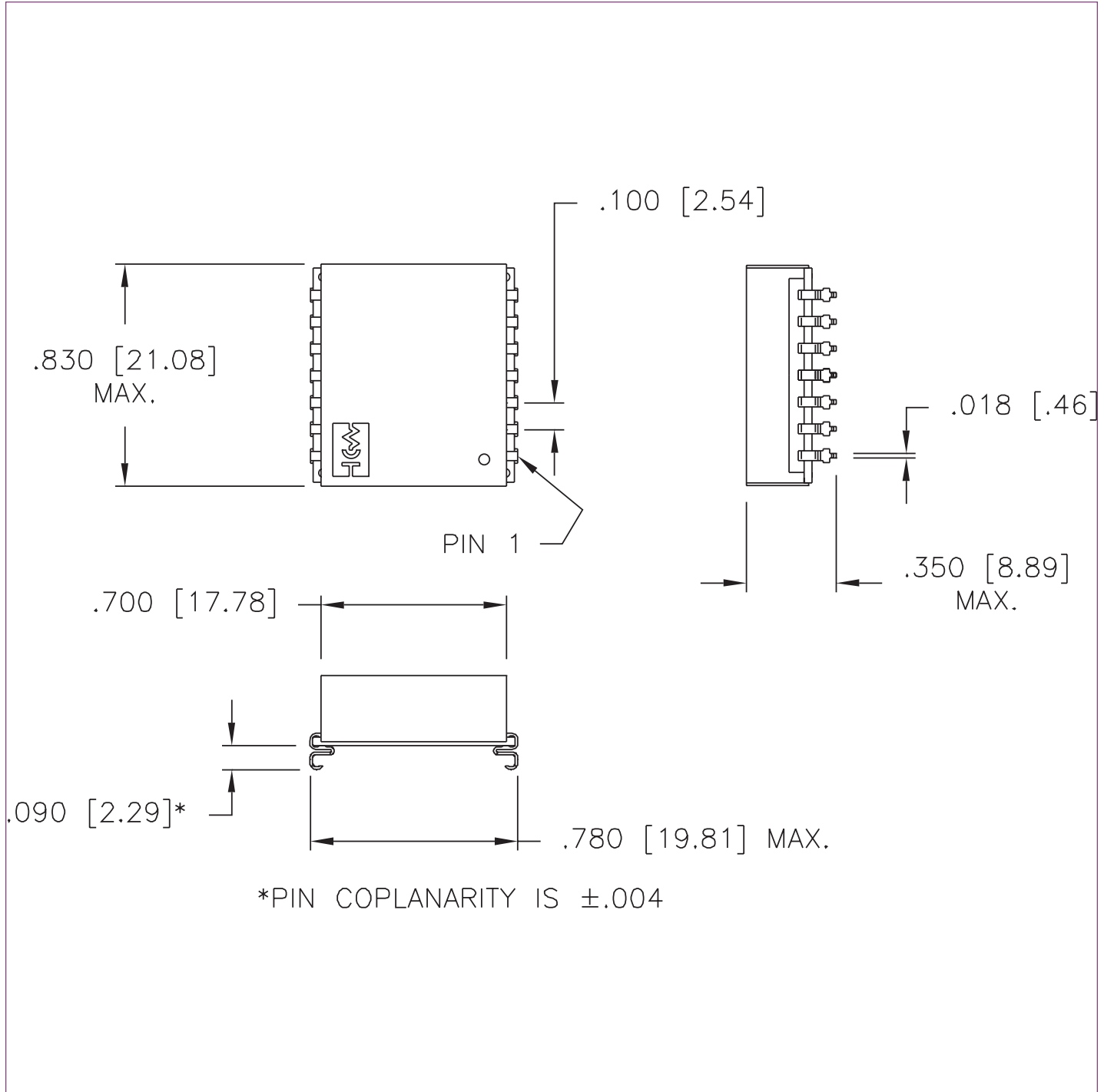
## Block Diagram

Figure 2



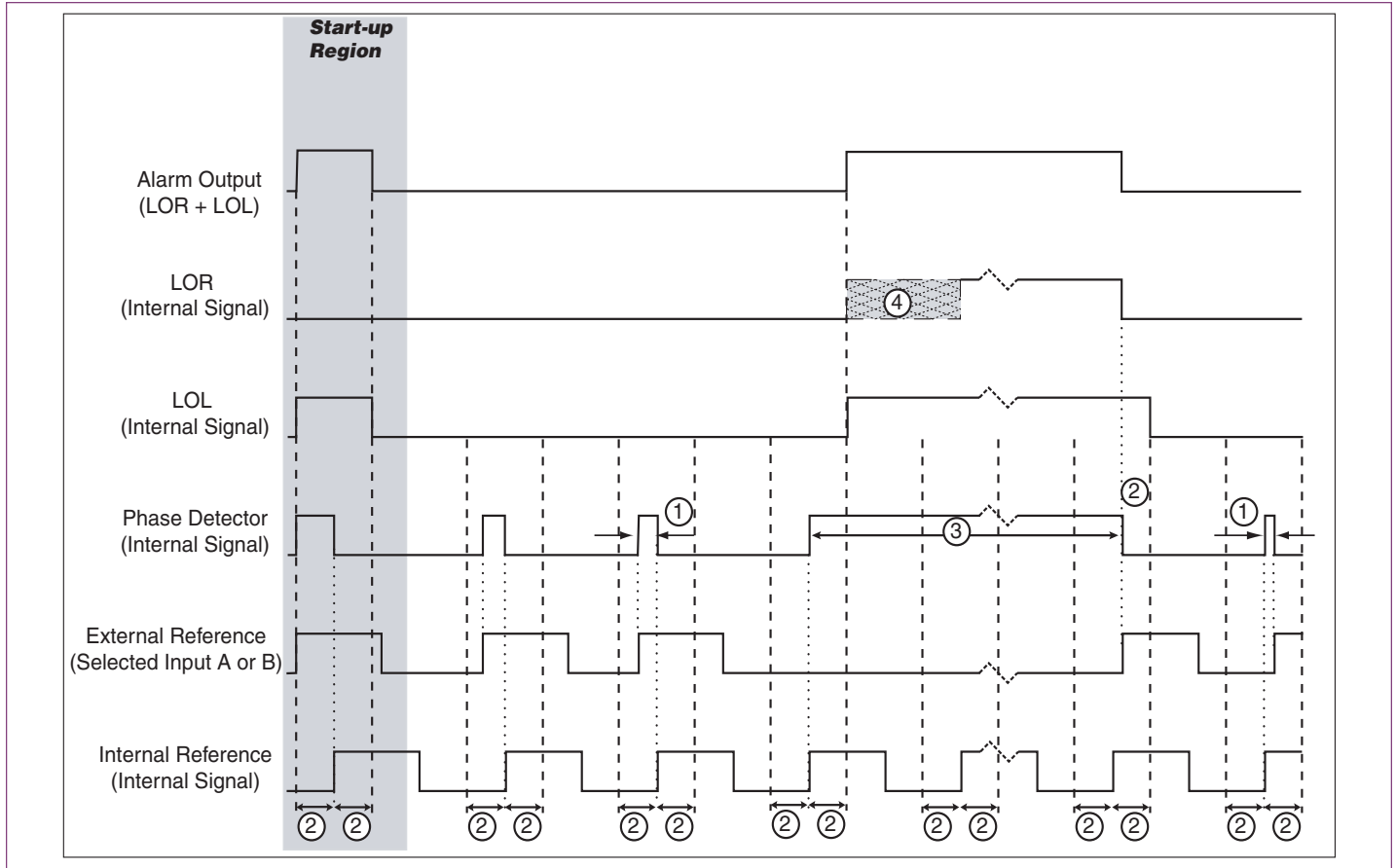
# Package Maximum Dimensions

Figure 3



## Loss of Reference Condition Alarm Timing

Figure 4



### Alarm Timing Legend

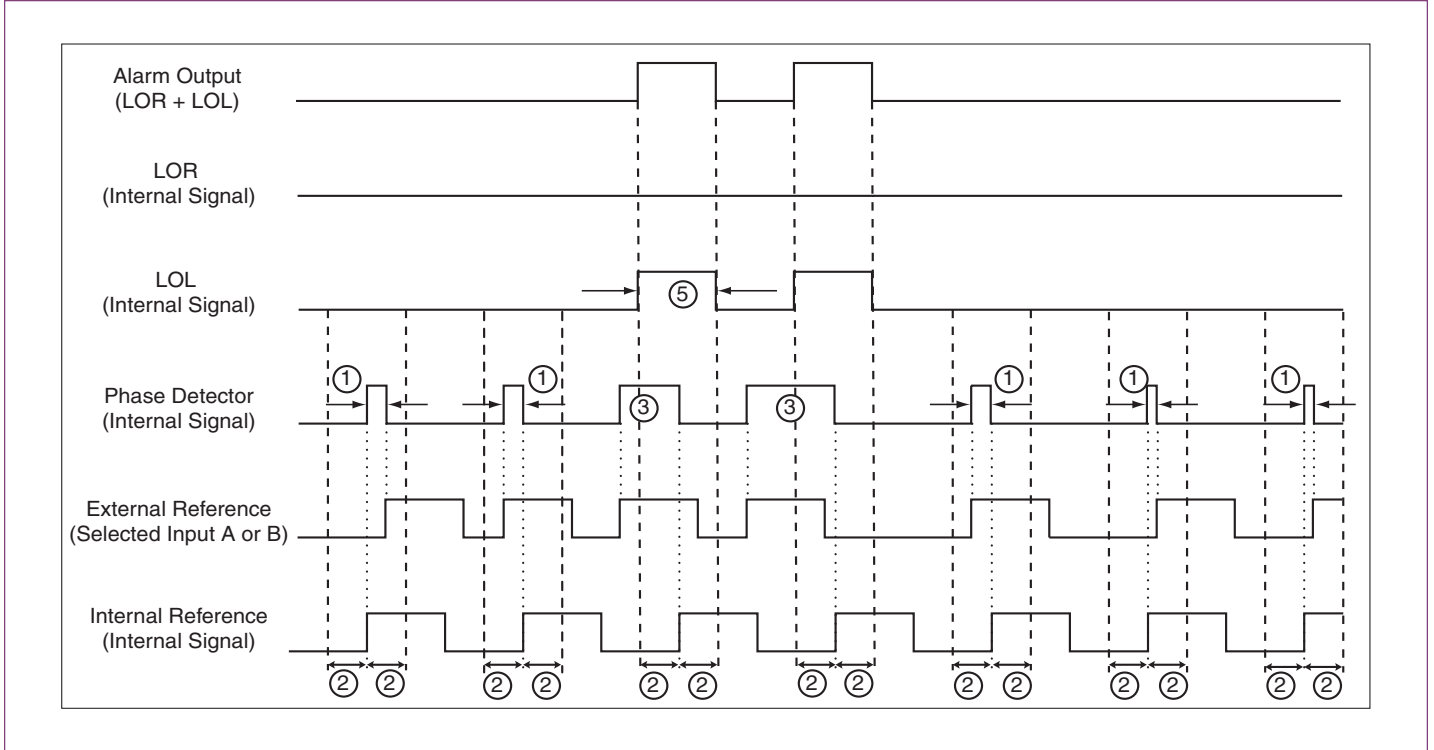
Use for all alarm timing diagrams

Table 7

	19.44 MHz Reference Input Units	8 kHz Reference Input Units
①	< 1 $\mu$ sec	< 31.25 $\mu$ sec
②	1 $\mu$ sec	31.25 $\mu$ sec
③	> 1 $\mu$ sec	> 31.25 $\mu$ sec
④	LOR is active when LOL is active	125 $\mu$ sec wide range
⑤	Minimum pulse width = 2 $\mu$ sec	Minimum pulse width = 62.5 $\mu$ sec
Start-up Region	During Start-up, The LOL Alarm will pulse during the few seconds of operation	

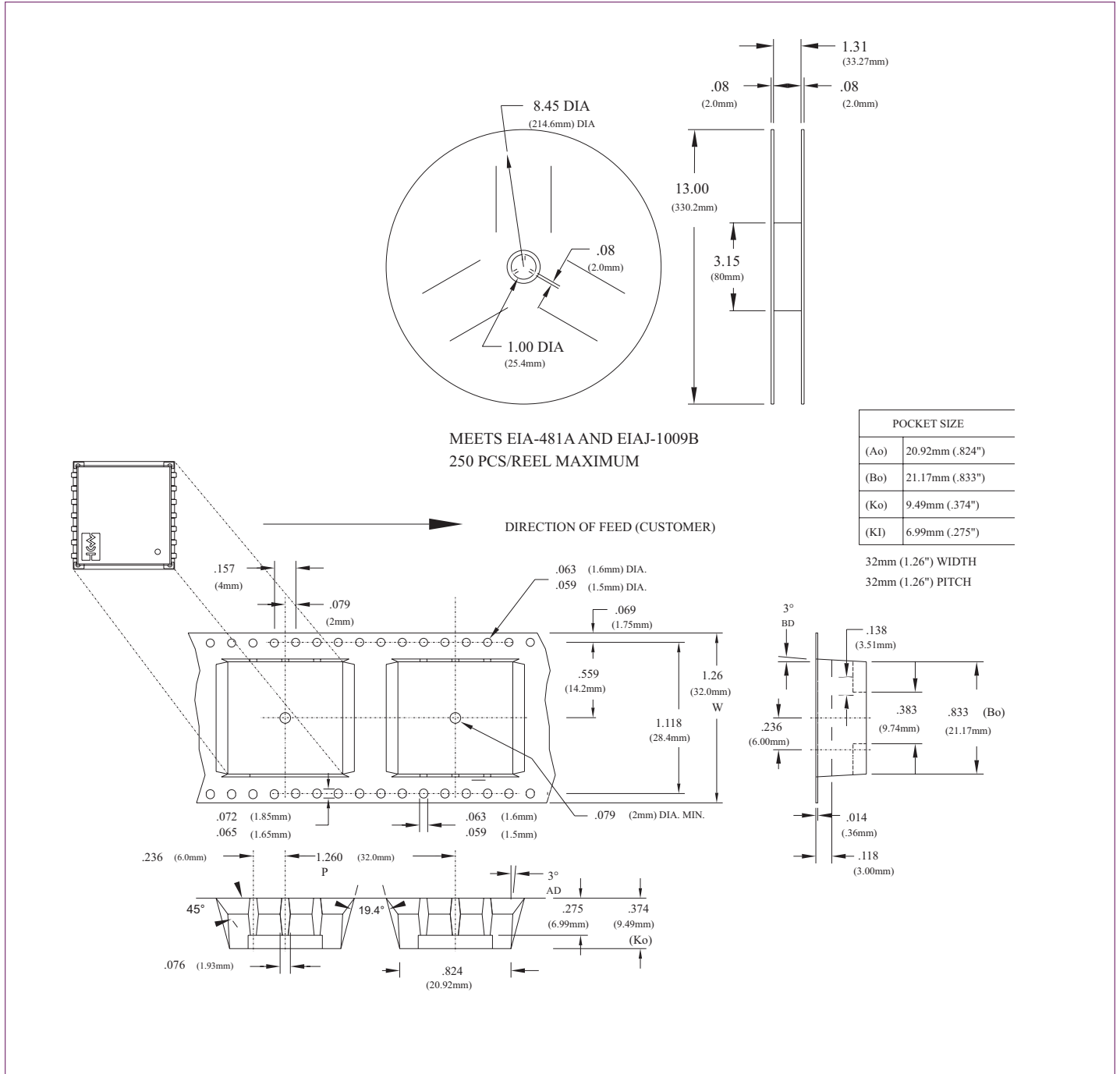
# Loss of Lock Condition Alarm Timing

Figure 5



# Tape and Reel Packaging

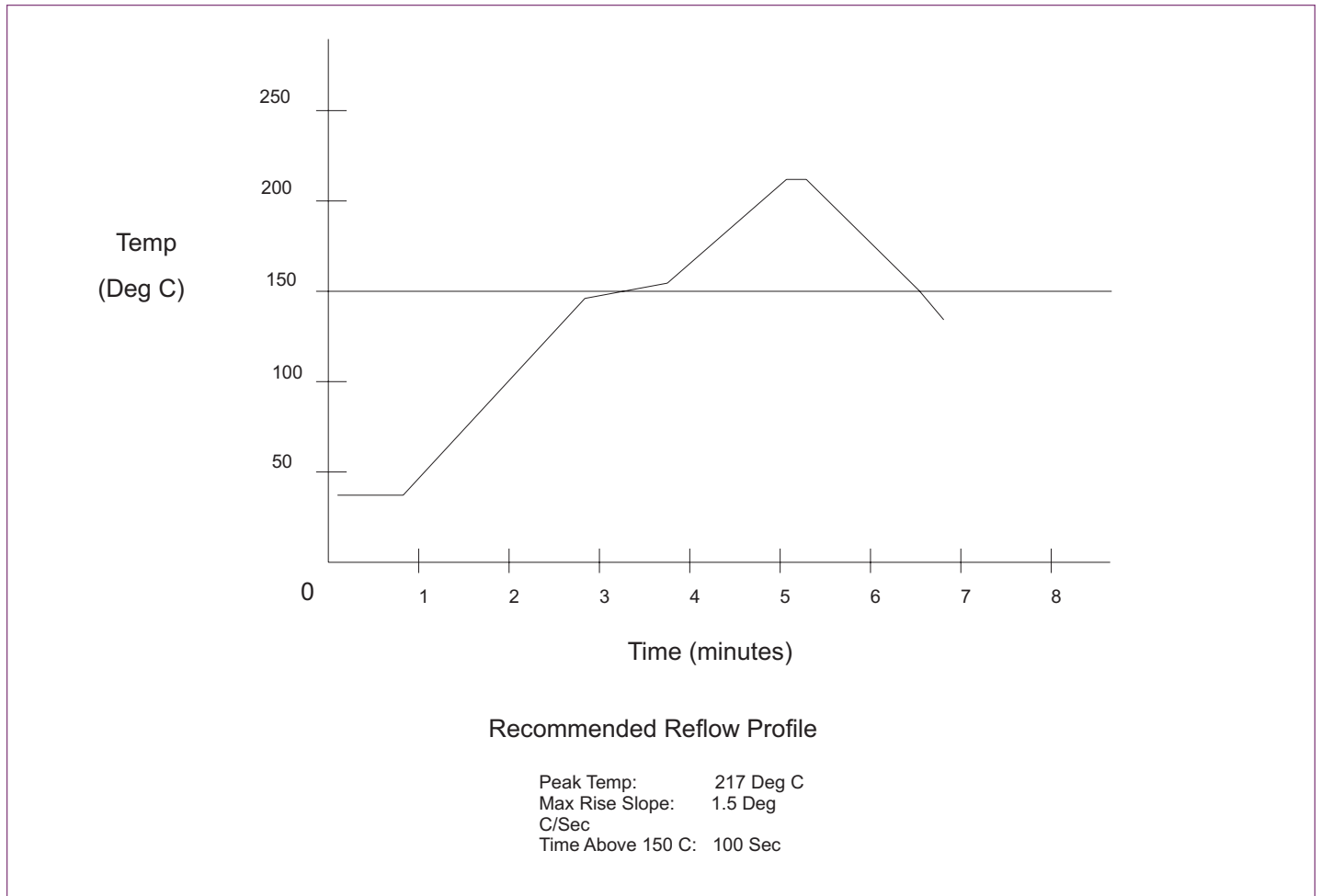
Figure 6





## Solder Profile

Figure 7



## Ordering Information

SCG{XXXX}-{FFF.FFF}{M}


XXXX equals a specific model (2500)

FFF.FFF equals the Oscillator Output frequency (001.544, 002.048, 019.44, 020.48, 034.368, 044.736, 051.84, 077.76)

M equals MHZ and is added to all part numbers

Example: To order an SCG2500 with an Oscillator Output of 77.76 MHz,  
Order part number SCG2500-077.76M

Please contact Connor-Winfield for other frequencies that may be available.



Revision	Revision Date	Note
00	4/24/01	Product Release
01	7/24/01	Reformatted to new Style
02	3/15/02	Updated Jitter Table