

## MM74HC4514 4-to-16 Line Decoder with Latch

### General Description

The MM74HC4514 utilizes advanced silicon-gate CMOS technology, which is well suited to memory address decoding or data routing application. It possesses high noise immunity and low power dissipation usually associated with CMOS circuitry, yet speeds comparable to low power Schottky TTL circuits. It can drive up to 10 LS-TTL loads.

The MM74HC4514 contain a 4-to-16 line decoder and a 4-bit latch. The latch can store the data on the select inputs, thus allowing a selected output to remain HIGH even though the select data has changed. When the LATCH ENABLE input to the latches is HIGH the outputs will change with the inputs. When LATCH ENABLE goes LOW the data on the select inputs is stored in the latches. The four select inputs determine which output will go HIGH provided the INHIBIT input is LOW. If the INHIBIT input is HIGH all outputs are held LOW thus disabling the decoder.

The MM74HC4514 is functionally and pinout equivalent to the CD4514BC and the MC1451BC. All inputs are protected against damage due to static discharge diodes from  $V_{CC}$  and ground.

### Features

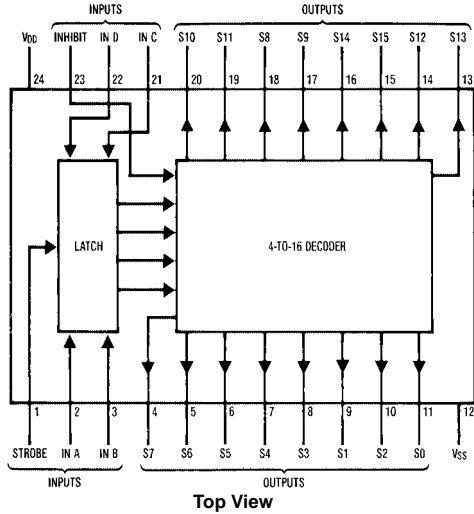
- Typical propagation delay: 18 ns
- Low quiescent power: 80  $\mu$ A maximum (74HC Series)
- Low input current: 1  $\mu$ A maximum
- Fanout of 10 LS-TTL loads (74HC Series)

### Ordering Code:

Order Number	Package Number	Package Description
MM74HC4514WM	M24B	24-Lead Small Outline Integrated Circuit (SOIC), JEDEC MS-013, 0.300" Wide
MM74HC4514MTC	MTC24	24-Lead Thin Shrink Small Outline Package (TSSOP), JEDEC MO-153, 4.4mm Wide
MM74HC4514N	N24C	24-Lead Plastic Dual-In-Line Package (PDIP), JEDEC MS-001, 0.300" Wide

Devices also available in Tape and Reel. Specify by appending the suffix letter "X" to the ordering code.

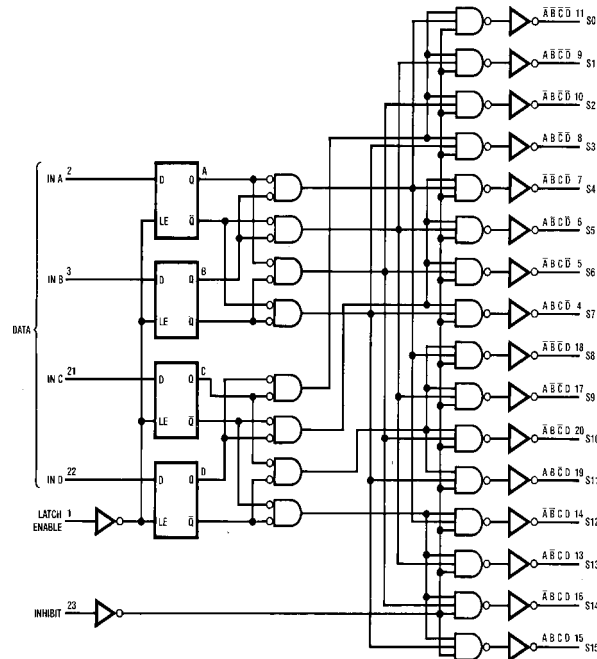
Connection Diagram



Truth Table

LE	Inhibit	Data Inputs				Selected Output High
		D	C	B	A	
H	L	L	L	L	L	S0
H	L	L	L	L	H	S1
H	L	L	L	H	L	S2
H	L	L	L	H	H	S3
H	L	L	H	L	L	S4
H	L	L	H	L	H	S5
H	L	L	H	H	L	S6
H	L	L	H	H	H	S7
H	L	H	L	L	L	S8
H	L	H	L	L	H	S9
H	L	H	L	H	L	S10
H	L	H	L	H	H	S11
H	L	H	H	L	L	S12
H	L	H	H	L	H	S13
H	L	H	H	H	L	S14
H	L	H	H	H	H	S15
X	H	X	X	X	X	All Outputs = 0
L	L	X	X	X	X	Latched Data

Logic Diagram



**Absolute Maximum Ratings** (Note 1)

(Note 2)

Supply Voltage ( $V_{CC}$ )	-0.5 to +7.0V
DC Input Voltage ( $V_{IN}$ )	-1.5 to $V_{CC} + 1.5V$
DC Output Voltage ( $V_{OUT}$ )	-0.5 to $V_{CC} + 0.5V$
Clamp Diode Current ( $I_{IK}, I_{OK}$ )	$\pm 20$ mA
DC Output Current, per pin ( $I_{OUT}$ )	$\pm 25$ mA
DC $V_{CC}$ or GND Current, per pin ( $I_{CC}$ )	$\pm 50$ mA
Storage Temperature Range ( $T_{STG}$ )	-65°C to +150°C
Power Dissipation ( $P_D$ )	
(Note 3)	600 mW
S.O. Package only	500 mW
Lead Temperature ( $T_L$ )	
(Soldering 10 seconds)	260°C

**Recommended Operating Conditions**

	Min	Max	Units
Supply Voltage ( $V_{CC}$ )	2	6	V
DC Input or Output Voltage ( $V_{IN}, V_{OUT}$ )	0	$V_{CC}$	V
Operating Temperature Range ( $T_A$ )	-40	+85	°C
Input Rise or Fall Times ( $t_r, t_f$ )			
$V_{CC} = 2.0V$		1000	ns
$V_{CC} = 4.5V$		500	ns
$V_{CC} = 6.0V$		400	ns

**Note 1:** Maximum Ratings are those values beyond which damage to the device may occur.

**Note 2:** Unless otherwise specified all voltages are referenced to ground.

**Note 3:** Power Dissipation temperature derating — plastic "N" package: — 12 mW/°C from 65°C to 85°C.

**DC Electrical Characteristics** (Note 4)

Symbol	Parameter	Conditions	$V_{CC}$	$T_A = 25^\circ\text{C}$			Units	
				Typ	Guaranteed Limits			
$V_{IH}$	Minimum HIGH Level Input Voltage		2.0V		1.5	1.5	V	
			4.5V		3.15	3.15		
			6.0V		4.2	4.2		
$V_{IL}$	Maximum LOW Level Input Voltage		2.0V		0.5	0.5	V	
			4.5V		1.35	1.35		
			6.0V		1.8	1.8		
$V_{OH}$	Minimum HIGH Level Output Voltage	$V_{IN} = V_{IH}$ or $V_{IL}$ $ I_{OUT}  \leq 20 \mu\text{A}$	2.0V	2.0	1.9	1.9	V	
			4.5V	4.5	4.4	4.4		
			6.0V	6.0	5.9	5.9		
		$V_{IN} = V_{IH}$ or $V_{IL}$ $ I_{OUT}  \leq 4.0 \text{ mA}$ $ I_{OUT}  \leq 5.2 \text{ mA}$	4.5V	4.2	3.98	3.84	V	
			6.0V	5.7	5.48	5.34		
			6.0V	5.7	5.48	5.34		
$V_{OL}$	Maximum LOW Level Output Voltage	$V_{IN} = V_{IH}$ or $V_{IL}$ $ I_{OUT}  \leq 20 \mu\text{A}$	2.0V	0	0.1	0.1	V	
			4.5V	0	0.1	0.1		
			6.0V	0	0.1	0.1		
		$V_{IN} = V_{IH}$ or $V_{IL}$ $ I_{OUT}  \leq 4.0 \text{ mA}$ $ I_{OUT}  \leq 5.2 \text{ mA}$	4.5V	0.2	0.26	0.33	V	
			6.0V	0.2	0.26	0.33		
			6.0V	0.2	0.26	0.33		
$I_{IN}$	Maximum Input Current	$V_{IN} = V_{CC}$ or GND	6.0V		$\pm 0.1$	$\pm 1.0$	$\pm 1.0$	$\mu\text{A}$
$I_{CC}$	Maximum Quiescent Supply Current	$V_{IN} = V_{CC}$ or GND $I_{OUT} = 0 \mu\text{A}$	6.0V		8.0	80	160	$\mu\text{A}$

**Note 4:** For a power supply of  $5V \pm 10\%$  the worst case output voltages ( $V_{OH}$ , and  $V_{OL}$ ) occur for HC at 4.5V. Thus the 4.5V values should be used when designing with this supply. Worst case  $V_{IH}$  and  $V_{IL}$  occur at  $V_{CC} = 5.5V$  and 4.5V respectively. (The  $V_{IH}$  value at 5.5V is 3.85V.) The worst case leakage current ( $I_{IN}$ ,  $I_{CC}$ , and  $I_{OZ}$ ) occur for CMOS at the higher voltage and so the 6.0V values should be used.

**AC Electrical Characteristics** $V_{CC} = 5V$ ,  $T_A = 25^\circ C$ ,  $C_L = 15$  pF,  $t_r = t_f = 6$  ns

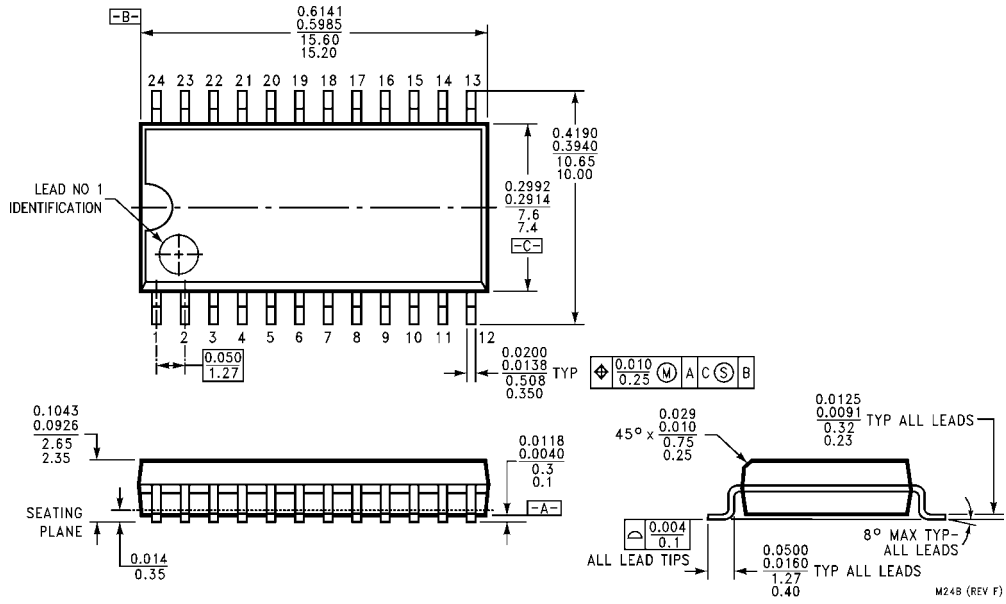
Symbol	Parameter	Conditions	Typ	Guaranteed Limit	Units
$t_{PHL}$ , $t_{PLH}$	Maximum Propagation Delay Data to Output		18	30	ns
$t_{PHL}$	Maximum Propagation Delay LE to Output		18	30	ns
$t_{PLH}$	Maximum Propagation Delay LE to Output		24	40	ns
$t_{PHL}$	Maximum Propagation Delay Inhibit to Output		16	30	ns
$t_{PLH}$	Maximum Propagation Delay Inhibit to Output		24	40	ns
$t_s$	Minimum Setup Time, Data to LE			20	ns
$t_H$	Minimum Hold Time, LE to Data			5	ns
$t_W$	Minimum Pulse Width, Latch Enable			16	ns

**AC Electrical Characteristics** $V_{CC} = 2.0V - 6.0V$ ,  $C_L = 50$  pF,  $t_r = t_f = 6$  ns (unless otherwise specified)

Symbol	Parameter	Conditions	$V_{CC}$	$T_A = 25^\circ C$		$T_A = -40$ to $85^\circ C$	$T_A = -55$ to $125^\circ C$	Units
				Typ	Guaranteed Limits			
$t_{PHL}$ , $t_{PLH}$	Maximum Propagation Delay Data to Output		2.0V	80	175	220	263	ns
			4.5V	18	35	44	53	
			6.0V	16	30	38	45	
$t_{PHL}$	Maximum Propagation Delay LE to Output		2.0V	80	175	220	263	ns
			4.5V	19	35	44	53	
			6.0V	17	30	38	45	
$t_{PLH}$	Maximum Propagation Delay LE to Output		2.0V	120	230	290	343	ns
			4.5V	27	46	58	69	
			6.0V	22	39	49	58	
$t_{PHL}$	Maximum Propagation Delay Inhibit to Output		2.0V	70	175	220	263	ns
			4.5V	18	35	44	53	
			6.0V	16	30	38	45	
$t_{PLH}$	Maximum Propagation Delay Inhibit to Output		2.0V	120	230	290	343	ns
			4.5V	27	46	58	69	
			6.0V	22	39	49	58	
$t_s$	Minimum Setup Time, Data to LE		2.0V		100	125	150	ns
			4.5V		20	25	30	
			6.0V		17	21	25	
$t_H$	Minimum Hold Time, LE to Data		2.0V		5	5	5	ns
			4.5V		5	5	5	
			6.0V		5	5	5	
$t_W$	Minimum Pulse Width, Latch Enable		2.0V		80	100	120	ns
			4.5V		16	20	24	
			6.0V		14	17	20	
$C_{PD}$	Power Dissipation Capacitance (Note 5)			290				pF
$C_{IN}$	Maximum Input Capacitance			5	10	10	10	pF

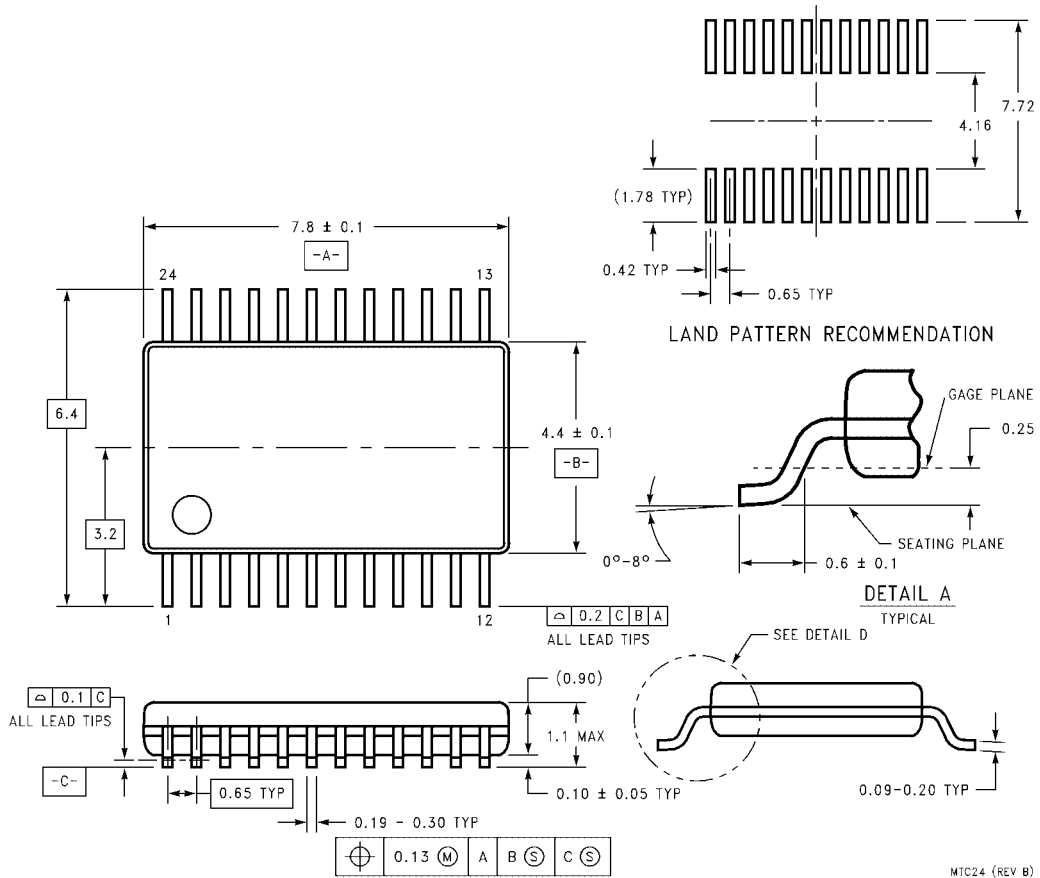
**Note 5:**  $C_{PD}$  determines the no load dynamic power consumption,  $P_D = C_{PD} V_{CC}^2 f + I_{CC} V_{CC}$ , and the no load dynamic current consumption,  $I_S = C_{PD} V_{CC} f + I_{CC}$ .

**Physical Dimensions** inches (millimeters) unless otherwise noted



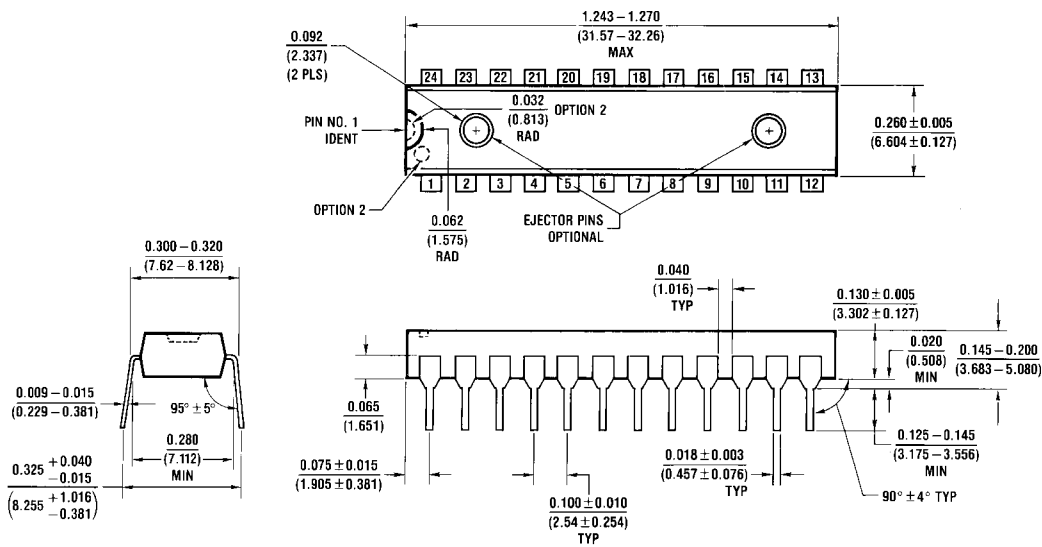
**24-Lead Small Outline Integrated Circuit (SOIC), JEDEC MS-013, 0.300" Wide  
Package Number M24B**

**Physical Dimensions** inches (millimeters) unless otherwise noted (Continued)



**24-Lead Thin Shrink Small Outline Package (TSSOP), JEDEC MO-153, 4.4mm Wide  
Package Number MTC24**

**Physical Dimensions** inches (millimeters) unless otherwise noted (Continued)



**24-Lead Plastic Dual-In-Line Package (PDIP), JEDEC MS-001, 0.300" Wide  
Package Number N24C**

Fairchild does not assume any responsibility for use of any circuitry described, no circuit patent licenses are implied and Fairchild reserves the right at any time without notice to change said circuitry and specifications.

**LIFE SUPPORT POLICY**

FAIRCHILD'S PRODUCTS ARE NOT AUTHORIZED FOR USE AS CRITICAL COMPONENTS IN LIFE SUPPORT DEVICES OR SYSTEMS WITHOUT THE EXPRESS WRITTEN APPROVAL OF THE PRESIDENT OF FAIRCHILD SEMICONDUCTOR CORPORATION. As used herein:

1. Life support devices or systems are devices or systems which, (a) are intended for surgical implant into the body, or (b) support or sustain life, and (c) whose failure to perform when properly used in accordance with instructions for use provided in the labeling, can be reasonably expected to result in a significant injury to the user.
2. A critical component in any component of a life support device or system whose failure to perform can be reasonably expected to cause the failure of the life support device or system, or to affect its safety or effectiveness.

[www.fairchildsemi.com](http://www.fairchildsemi.com)