



Is Now Part of



ON Semiconductor®

To learn more about ON Semiconductor, please visit our website at
www.onsemi.com

ON Semiconductor and the ON Semiconductor logo are trademarks of Semiconductor Components Industries, LLC dba ON Semiconductor or its subsidiaries in the United States and/or other countries. ON Semiconductor owns the rights to a number of patents, trademarks, copyrights, trade secrets, and other intellectual property. A listing of ON Semiconductor's product/patent coverage may be accessed at www.onsemi.com/site/pdf/Patent-Marking.pdf. ON Semiconductor reserves the right to make changes without further notice to any products herein. ON Semiconductor makes no warranty, representation or guarantee regarding the suitability of its products for any particular purpose, nor does ON Semiconductor assume any liability arising out of the application or use of any product or circuit, and specifically disclaims any and all liability, including without limitation special, consequential or incidental damages. Buyer is responsible for its products and applications using ON Semiconductor products, including compliance with all laws, regulations and safety requirements or standards, regardless of any support or applications information provided by ON Semiconductor. "Typical" parameters which may be provided in ON Semiconductor data sheets and/or specifications can and do vary in different applications and actual performance may vary over time. All operating parameters, including "Typicals" must be validated for each customer application by customer's technical experts. ON Semiconductor does not convey any license under its patent rights nor the rights of others. ON Semiconductor products are not designed, intended, or authorized for use as a critical component in life support systems or any FDA Class 3 medical devices or medical devices with a same or similar classification in a foreign jurisdiction or any devices intended for implantation in the human body. Should Buyer purchase or use ON Semiconductor products for any such unintended or unauthorized application, Buyer shall indemnify and hold ON Semiconductor and its officers, employees, subsidiaries, affiliates, and distributors harmless against all claims, costs, damages, and expenses, and reasonable attorney fees arising out of, directly or indirectly, any claim of personal injury or death associated with such unintended or unauthorized use, even if such claim alleges that ON Semiconductor was negligent regarding the design or manufacture of the part. ON Semiconductor is an Equal Opportunity/Affirmative Action Employer. This literature is subject to all applicable copyright laws and is not for resale in any manner.



FSGM0565R Green-Mode Fairchild Power Switch (FPS™)

Features

- Soft Burst-Mode Operation for Low Standby Power Consumption and Low Noise
- Precision Fixed Operating Frequency: 66kHz
- Pulse-by-Pulse Current Limit
- Various Protection Functions: Overload Protection (OLP), Over-Voltage Protection (OVP), Abnormal Over-Current Protection (AOCP), Internal Thermal Shutdown (TSD) with Hysteresis, Output Short Protection (OSP), and Under-Voltage Lockout (UVLO) with Hysteresis
- Auto-Restart Mode
- Internal Startup Circuit
- Internal High-Voltage SenseFET: 650V
- Built-in Soft-Start: 15ms

Description

The FSGM0565R is an integrated Pulse Width Modulation (PWM) controller and SenseFET specifically designed for offline Switch-Mode Power Supplies (SMPS) with minimal external components. The PWM controller includes an integrated fixed-frequency oscillator, Under-Voltage Lockout (UVLO), Leading-Edge Blanking (LEB), optimized gate driver, internal soft-start, temperature-compensated precise current sources for loop compensation, and self-protection circuitry. Compared with a discrete MOSFET and PWM controller solution, the FSGM series can reduce total cost, component count, size, and weight; while simultaneously increasing efficiency, productivity, and system reliability. This device provides a basic platform suited for cost-effective design of a flyback converter.

Applications

- Power Supply for LCD TV and Monitor, STB and DVD Combination

Ordering Information

| Part Number | Package | Operating Junction Temperature | Current Limit | R _{DS(ON)} (Max.) | Output Power Table ⁽²⁾ | | | | Replaces Device |
|---------------|-----------------------------------|--------------------------------|---------------|----------------------------|---|---------------------------|------------------------|---------------------------|-----------------|
| | | | | | 230V _{AC} ± 15% ⁽³⁾ | | 85~265V _{AC} | | |
| | | | | | Adapter ⁽⁴⁾ | Open Frame ⁽⁵⁾ | Adapter ⁽⁴⁾ | Open Frame ⁽⁵⁾ | |
| FSGM0565RWDTU | TO-220F 6-Lead(1) W-Forming | -40°C ~ +125°C | 2.20A | 2.2Ω | 70W | 80W | 41W | 60W | FSDM0565RE |
| FSGM0565RUDTU | TO-220F 6-Lead(1) U-Forming | -40°C ~ +125°C | 2.20A | 2.2Ω | 70W | 80W | 41W | 60W | FSDM0565RE |
| FSGM0565RLDTU | TO-220F 6-Lead(1) L-Forming | -40°C ~ +125°C | 2.20A | 2.2Ω | 70W | 80W | 41W | 60W | FSDM0565RE |

Notes:

1. Pb-free package per JEDEC J-STD-020B.
2. The junction temperature can limit the maximum output power.
3. 230V_{AC} or 100/115V_{AC} with voltage doubler.
4. Typical continuous power in a non-ventilated enclosed adapter measured at 50°C ambient temperature.
5. Maximum practical continuous power in an open-frame design at 50°C ambient temperature.

Application Circuit

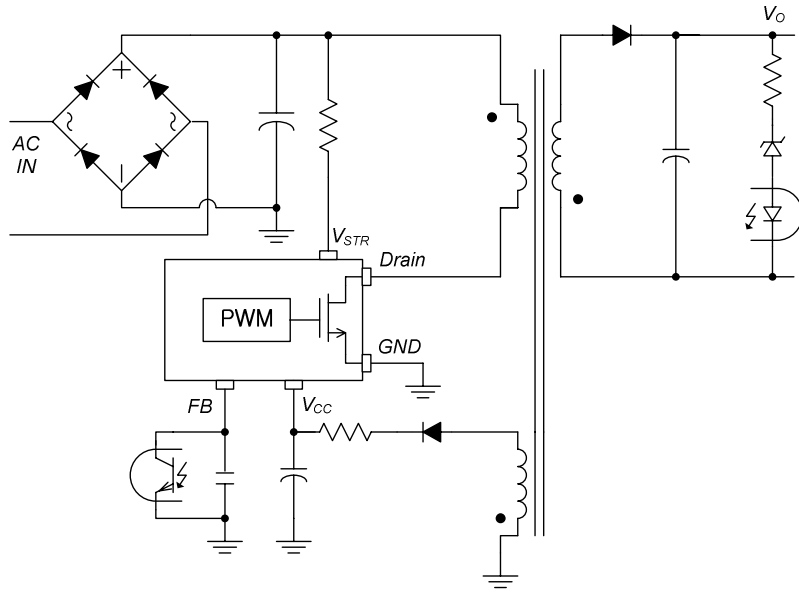


Figure 1. Typical Application Circuit

Internal Block Diagram

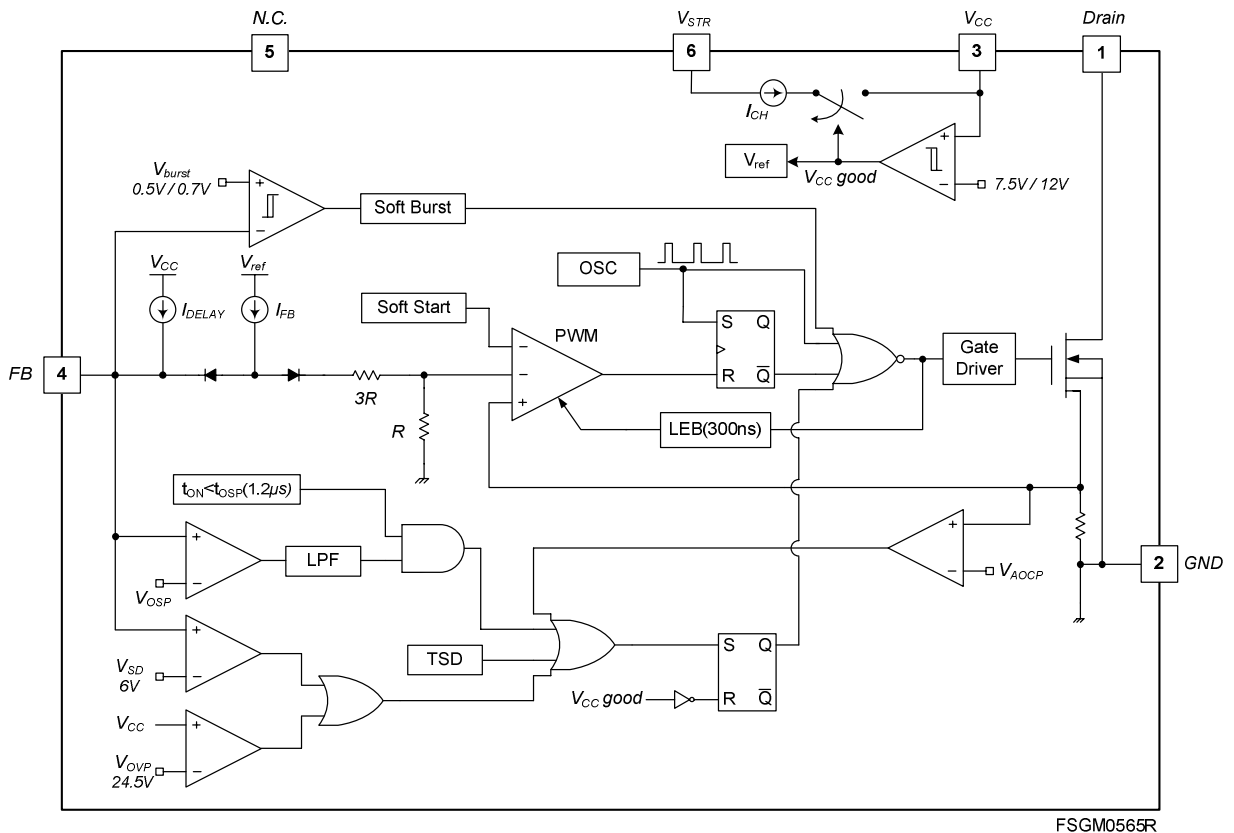


Figure 2. Internal Block Diagram

FSGM0565R

Pin Configuration

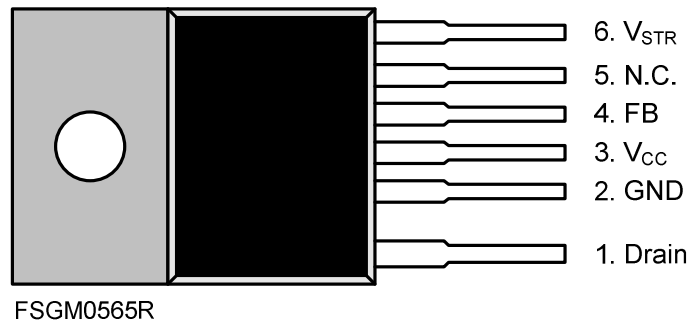


Figure 3. Pin Configuration (Top View)

Pin Definitions

| Pin # | Name | Description |
|-------|------------------|---|
| 1 | Drain | SenseFET Drain. High-voltage power SenseFET drain connection. |
| 2 | GND | Ground. This pin is the control ground and the SenseFET source. |
| 3 | V _{CC} | Power Supply. This pin is the positive supply input, which provides the internal operating current for both startup and steady-state operation. |
| 4 | FB | Feedback. This pin is internally connected to the inverting input of the PWM comparator. The collector of an opto-coupler is typically tied to this pin. For stable operation, a capacitor should be placed between this pin and GND. If the voltage of this pin reaches 6V, the overload protection triggers, which shuts down the FPS. |
| 5 | N.C. | No connection. |
| 6 | V _{STR} | Startup. This pin is connected directly, or through a resistor, to the high-voltage DC link. At startup, the internal high-voltage current source supplies internal bias and charges the external capacitor connected to the V _{CC} pin. Once V _{CC} reaches 12V, the internal current source (I _{CH}) is disabled. |

Absolute Maximum Ratings

Stresses exceeding the absolute maximum ratings may damage the device. The device may not function or be operable above the recommended operating conditions and stressing the parts to these levels is not recommended. In addition, extended exposure to stresses above the recommended operating conditions may affect device reliability. The absolute maximum ratings are stress ratings only.

| Symbol | Parameter | Min. | Max. | Unit |
|------------------|---|-----------------------------------|------|------|
| V _{STR} | V _{STR} Pin Voltage | | 650 | V |
| V _{DS} | Drain Pin Voltage | | 650 | V |
| V _{CC} | V _{CC} Pin Voltage | | 26 | V |
| V _{FB} | Feedback Pin Voltage | -0.3 | 12 | V |
| I _{DM} | Drain Current Pulsed | | 11 | A |
| I _{DS} | Continuous Switching Drain Current ⁽⁶⁾ | T _C =25°C | 5.6 | A |
| | | T _C =100°C | 3.4 | A |
| E _{AS} | Single Pulsed Avalanche Energy ⁽⁷⁾ | | 295 | mJ |
| P _D | Total Power Dissipation (T _C =25°C) ⁽⁸⁾ | | 45 | W |
| T _J | Maximum Junction Temperature | | +150 | °C |
| | Operating Junction Temperature ⁽⁹⁾ | -40 | +125 | °C |
| T _{STG} | Storage Temperature | -55 | +150 | °C |
| V _{ISO} | Minimum Isolation Range ⁽¹⁰⁾ | 2.5 | | V |
| ESD | Electrostatic Discharge Capability | Human Body Model, JESD22-A114 | 2 | kV |
| | | Charged Device Model, JESD22-C101 | 2 | |

Notes:

6. Repetitive peak switching current when the inductive load is assumed: Limited by maximum duty (D_{MAX}=0.75) and junction temperature (see Figure 4).
7. L=45mH, starting T_J=25°C.
8. Infinite cooling condition (refer to the SEMI G30-88).
9. Although this parameter guarantees IC operation, it does not guarantee all electrical characteristics.
10. The voltage between the package back side and the lead is guaranteed.

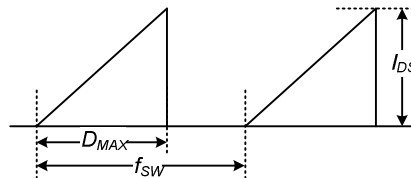


Figure 4. Repetitive Peak Switching Current

Thermal Impedance

T_A=25°C unless otherwise specified.

| Symbol | Parameter | Value | Unit |
|-----------------|---|-------|------|
| θ _{JA} | Junction-to-Ambient Thermal Impedance ⁽¹¹⁾ | 62.5 | °C/W |
| θ _{JC} | Junction-to-Case Thermal Impedance ⁽¹²⁾ | 3 | °C/W |

Notes:

11. Infinite cooling condition (refer to the SEMI G30-88).
12. Free standing with no heat-sink under natural convection.

Electrical Characteristics

T_J = 25°C unless otherwise specified.

| Symbol | Parameter | Conditions | Min. | Typ. | Max. | Unit | | |
|---------------------------|--|---|---|------|------|------|-----|----|
| SenseFET Section | | | | | | | | |
| BV _{DSS} | Drain-Source Breakdown Voltage | V _{CC} = 0V, I _D = 250μA | 650 | | | V | | |
| I _{DSS} | Zero-Gate-Voltage Drain Current | V _{DS} = 520V, T _A = 125°C | | | 250 | μA | | |
| R _{DS(ON)} | Drain-Source On-State Resistance | V _{GS} = 10V, I _D = 1A | | 1.8 | 2.2 | Ω | | |
| C _{ISS} | Input Capacitance ⁽¹³⁾ | V _{DS} = 25V, V _{GS} = 0V, f = 1MHz | | 515 | | pF | | |
| C _{OSS} | Output Capacitance ⁽¹³⁾ | V _{DS} = 25V, V _{GS} = 0V, f = 1MHz | | 75 | | pF | | |
| t _r | Rise Time | V _{DS} = 325V, I _D = 4A, R _G = 25Ω | | 26 | | ns | | |
| t _f | Fall Time | V _{DS} = 325V, I _D = 4A, R _G = 25Ω | | 25 | | ns | | |
| t _{d(on)} | Turn-on Delay Time | V _{DS} = 325V, I _D = 4A, R _G = 25Ω | | 14 | | ns | | |
| t _{d(off)} | Turn-off Delay Time | V _{DS} = 325V, I _D = 4A, R _G = 25Ω | | 32 | | ns | | |
| Control Section | | | | | | | | |
| f _S | Switching Frequency | V _{CC} = 14V, V _{FB} = 4V | 60 | 66 | 72 | kHz | | |
| Δf _S | Switching Frequency Variation ⁽¹³⁾ | - 25°C < T _J < 125°C | | ±5 | ±10 | % | | |
| D _{MAX} | Maximum Duty Ratio | V _{CC} = 14V, V _{FB} = 4V | 65 | 70 | 75 | % | | |
| D _{MIN} | Minimum Duty Ratio | V _{CC} = 14V, V _{FB} = 0V | | | 0 | % | | |
| I _{FB} | Feedback Source Current | V _{FB} = 0 | 160 | 210 | 260 | μA | | |
| V _{START} | UVLO Threshold Voltage | V _{FB} = 0V, V _{CC} Sweep | 11 | 12 | 13 | V | | |
| V _{STOP} | | After Turn-on, V _{FB} = 0V | 7.0 | 7.5 | 8.0 | V | | |
| V _{OP} | V _{CC} Operating Range | | 13 | | 23 | V | | |
| t _{S/S} | Internal Soft-Start Time | V _{STR} = 40V, V _{CC} Sweep | | 15 | | ms | | |
| Burst-Mode Section | | | | | | | | |
| V _{BURH} | Burst-Mode Voltage | V _{CC} = 14V, V _{FB} Sweep | 0.6 | 0.7 | 0.8 | V | | |
| V _{BURL} | | | 0.4 | 0.5 | 0.6 | V | | |
| Hys | | | | 200 | | mV | | |
| Protection Section | | | | | | | | |
| I _{LIM} | Peak Drain Current Limit | di/dt = 300mA/μs | 2.0 | 2.2 | 2.4 | A | | |
| V _{SD} | Shutdown Feedback Voltage | V _{CC} = 14V, V _{FB} Sweep | 5.5 | 6.0 | 6.5 | V | | |
| I _{DELAY} | Shutdown Delay Current | V _{CC} = 14V, V _{FB} = 4V | 2.5 | 3.3 | 4.1 | μA | | |
| t _{LEB} | Leading-Edge Blanking Time ⁽¹³⁾⁽¹⁴⁾ | | | 300 | | ns | | |
| V _{OVP} | Over-Voltage Protection | V _{CC} Sweep | 23.0 | 24.5 | 26.0 | V | | |
| t _{OSP} | Output Short Protection ⁽¹³⁾ | Threshold Time | OSP Triggered When | | 1.0 | 1.2 | 1.4 | μs |
| V _{OSP} | | Threshold V _{FB} | t _{ON} < t _{OSP} & V _{FB} > V _{OSP} | | 1.8 | 2.0 | 2.2 | V |
| t _{OSP_FB} | | V _{FB} Blanking Time | (Lasts Longer than t _{OSP_FB}) | | 2.0 | 2.5 | 3.0 | μs |
| T _{SD} | Thermal Shutdown Temperature ⁽¹³⁾ | Shutdown Temperature | 130 | 140 | 150 | °C | | |
| Hys | | Hysteresis | | 30 | | °C | | |

Continued on the following page...

Electrical Characteristics (Continued)

T_J = 25°C unless otherwise specified.

| Symbol | Parameter | Conditions | Min. | Typ. | Max. | Unit |
|-----------------------------|--|---|------|------|------|------|
| Total Device Section | | | | | | |
| I _{OP} | Operating Supply Current, (Control Part in Burst Mode) | V _{CC} = 14V, V _{FB} = 0V | 1.2 | 1.6 | 2.0 | mA |
| I _{OPS} | Operating Switching Current, (Control Part and SenseFET Part) | V _{CC} = 14V, V _{FB} = 4V | 2.0 | 2.5 | 3.0 | mA |
| I _{START} | Start Current | V _{CC} = 11V (Before V _{CC} Reaches V _{START}) | 0.5 | 0.6 | 0.7 | mA |
| I _{CH} | Startup Charging Current | V _{CC} = V _{FB} = 0V, V _{STR} = 40V | 1.00 | 1.15 | 1.30 | mA |
| V _{STR} | Minimum V _{STR} Supply Voltage | V _{CC} = V _{FB} = 0V, V _{STR} Sweep | | 26 | | V |

Notes:

13. Although these parameters are guaranteed, they are not 100% tested in production.
14. t_{LEB} includes gate turn-on time.

Comparison of FSDM0565RE and FSGM0565R

| Function | FSDM0565RE | FSGM0565R | Advantages of FSGM0565R |
|-----------------|-------------------|--|--|
| Burst Mode | Advanced Burst | Advanced Soft Burst | Low noise and low standby power |
| Lightning Surge | | Strong | Enhanced SenseFET and controller against lightning surge |
| Soft-Start | 10ms (Built-in) | 15ms (Built-in) | Longer soft-start time |
| Protections | OLP OVP TSD | OLP OVP OSP AOCP TSD with Hysteresis | Enhanced protections and high reliability |
| Power Balance | Long TCLD | Very Short TCLD | The difference of input power between the low and high input voltage is quite small. |

Typical Performance Characteristics

Characteristic graphs are normalized at $T_A=25^\circ\text{C}$.

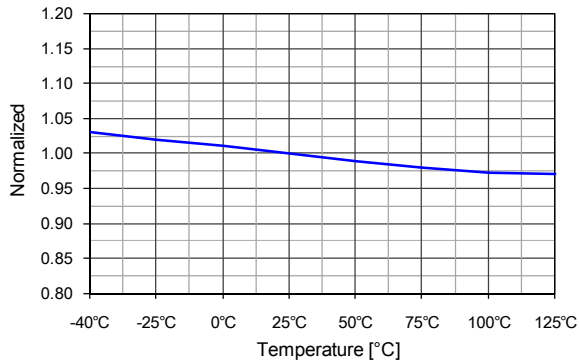


Figure 5. Operating Supply Current (I_{OP}) vs. T_A

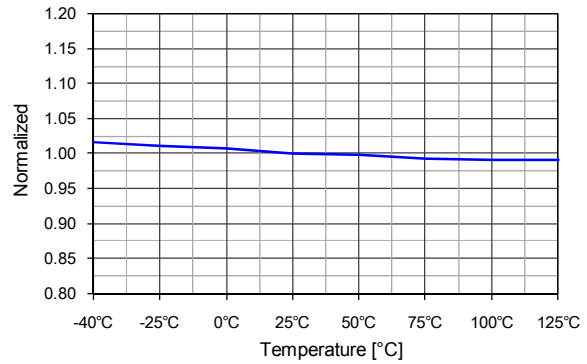


Figure 6. Operating Switching Current (I_{OPS}) vs. T_A

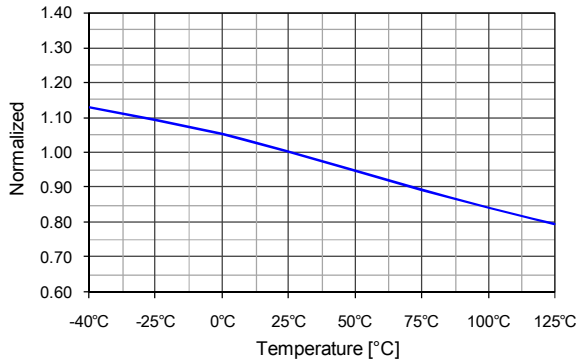


Figure 7. Startup Charging Current (I_{CH}) vs. T_A

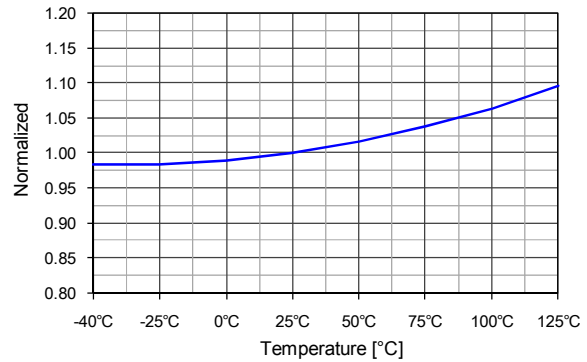


Figure 8. Peak Drain Current Limit (I_{LIM}) vs. T_A

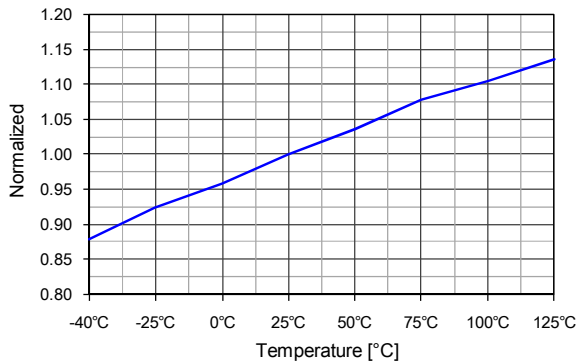


Figure 9. Feedback Source Current (I_{FB}) vs. T_A

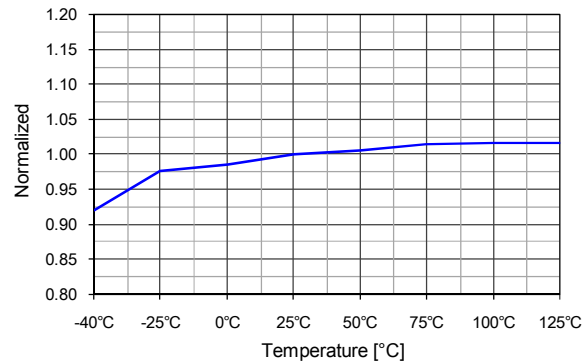


Figure 10. Shutdown Delay Current (I_{DELAY}) vs. T_A

Typical Performance Characteristics

Characteristic graphs are normalized at $T_A=25^\circ\text{C}$.

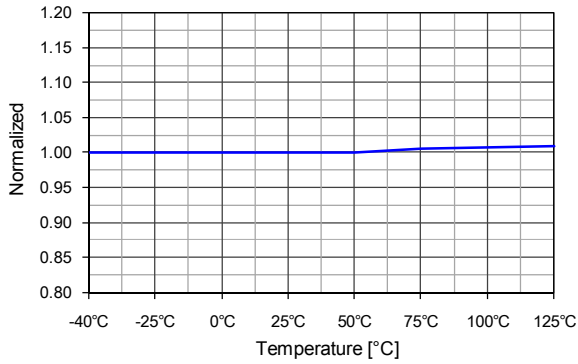


Figure 11. UVLO Threshold Voltage (V_{START}) vs. T_A

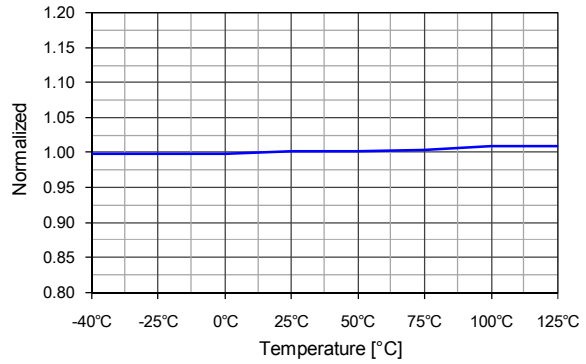


Figure 12. UVLO Threshold Voltage (V_{STOP}) vs. T_A

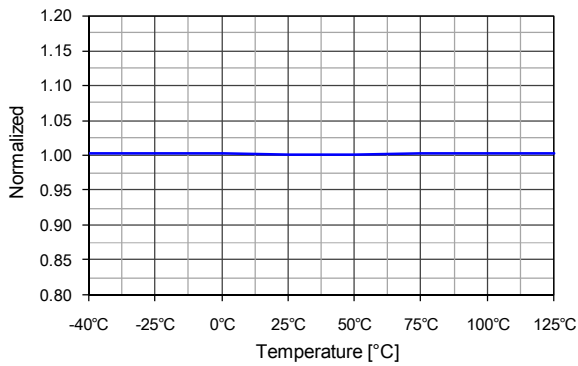


Figure 13. Shutdown Feedback Voltage (V_{SD}) vs. T_A

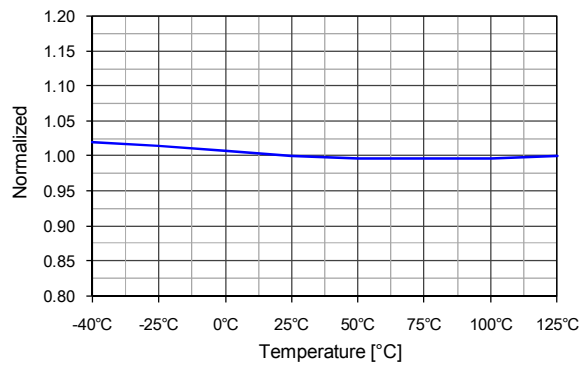


Figure 14. Over-Voltage Protection (V_{OVP}) vs. T_A

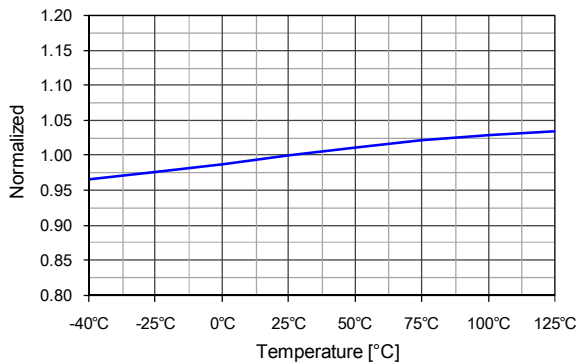


Figure 15. Switching Frequency (f_s) vs. T_A

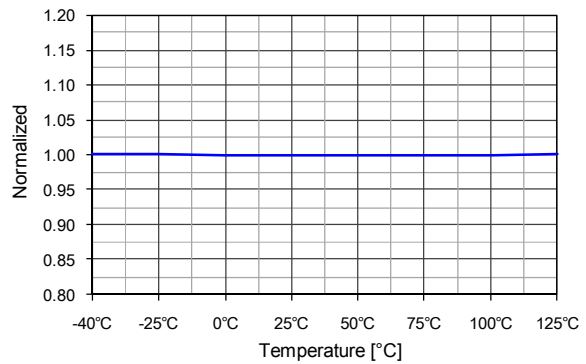


Figure 16. Maximum Duty Ratio (D_{MAX}) vs. T_A

4. Protection Circuits: The FSGM0565R has several self-protective functions, such as Overload Protection (OLP), Abnormal Over-Current Protection (AOCP), Output Short Protection (OSP), Over-Voltage Protection (OVP), and Thermal Shutdown (TSD). All the protections are implemented as auto-restart. Once the fault condition is detected, switching is terminated and the SenseFET remains off. This causes V_{CC} to fall. When V_{CC} falls to the Under-Voltage Lockout (UVLO) stop voltage of 7.5V, the protection is reset and the startup circuit charges the V_{CC} capacitor. When V_{CC} reaches the start voltage of 12.0V, the FSGM0565R resumes normal operation. If the fault condition is not removed, the SenseFET remains off and V_{CC} drops to stop voltage again. In this manner, the auto-restart can alternately enable and disable the switching of the power SenseFET until the fault condition is eliminated. Because these protection circuits are fully integrated into the IC without external components, the reliability is improved without increasing cost.

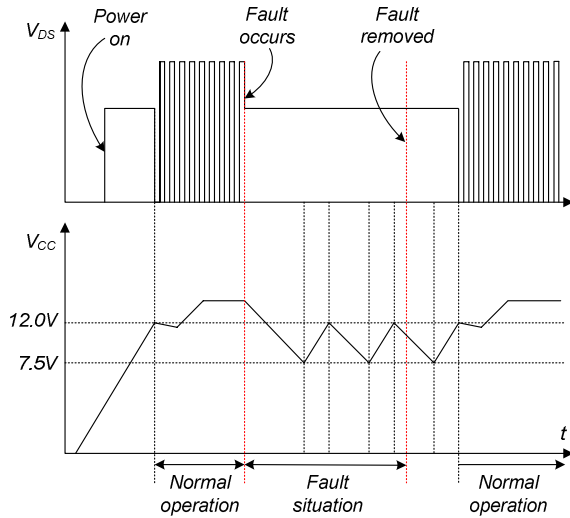


Figure 19. Auto Restart Protection Waveforms

4.1 Overload Protection (OLP): Overload is defined as the load current exceeding its normal level due to an unexpected abnormal event. In this situation, the protection circuit should trigger to protect the SMPS. However, even when the SMPS is in normal operation, the overload protection circuit can be triggered during the load transition. To avoid this undesired operation, the overload protection circuit is designed to trigger only after a specified time to determine whether it is a transient situation or a true overload situation. Because of the pulse-by-pulse current limit capability, the maximum peak current through the SenseFET is limited, and therefore the maximum input power is restricted with a given input voltage. If the output consumes more than this maximum power, the output voltage (V_{OUT}) decreases below the set voltage. This reduces the current through the opto-coupler LED, which also reduces the opto-coupler transistor current, thus increasing the feedback voltage (V_{FB}). If V_{FB} exceeds 2.4V, D1 is blocked and the $3.3\mu A$ current source starts to charge C_{FB} slowly up. In this condition, V_{FB} continues

increasing until it reaches 6.0V, when the switching operation is terminated, as shown in Figure 20. The delay time for shutdown is the time required to charge C_{FB} from 2.4V to 6.0V with $3.3\mu A$. A 25 ~ 50ms delay is typical for most applications. This protection is implemented in auto-restart mode.

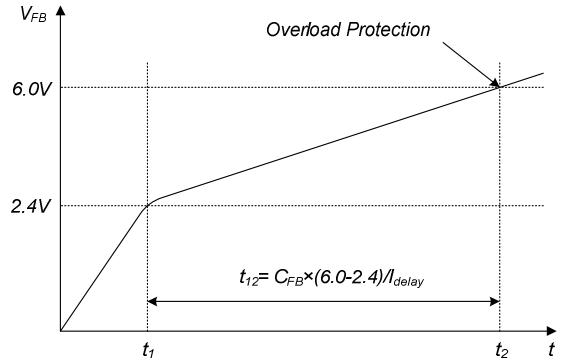


Figure 20. Overload Protection

4.2 Abnormal Over-Current Protection (AOCP): When the secondary rectifier diodes or the transformer pins are shorted, a steep current with extremely high di/dt can flow through the SenseFET during the minimum turn-on time. Even though the FSGM0565R has overload protection, it is not enough to protect the FSGM0565R in that abnormal case; since severe current stress is imposed on the SenseFET until OLP is triggered. The FSGM0565R internal AOCP circuit is shown in Figure 21. When the gate turn-on signal is applied to the power SenseFET, the AOCP block is enabled and monitors the current through the sensing resistor. The voltage across the resistor is compared with a preset AOCP level. If the sensing resistor voltage is greater than the AOCP level, the set signal is applied to the S-R latch, resulting in the shutdown of the SMPS.

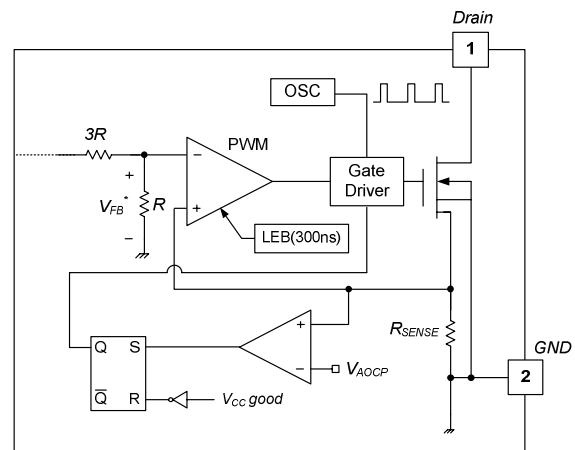


Figure 21. Abnormal Over-Current Protection

4.3. Output Short Protection (OSP): If the output is shorted, steep current with extremely high di/dt can flow through the SenseFET during the minimum turn-on time. Such a steep current brings high-voltage stress on drain of SenseFET when turned off. To protect the device from such an abnormal condition, OSP is included. It is comprised of detecting V_{FB} and SenseFET turn-on time. When the V_{FB} is higher than 2V and the SenseFET turn-on time is lower than $1.2\mu s$, the FSGM0565R recognizes this condition as an abnormal error and shuts down PWM switching until V_{CC} reaches V_{START} again. An abnormal condition output short is shown in Figure 22.

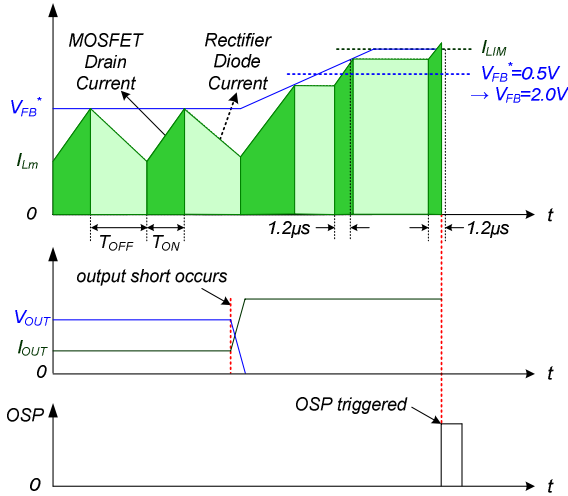


Figure 22. Output Short Protection

4.4 Over-Voltage Protection (OVP): If the secondary-side feedback circuit malfunctions or a solder defect causes an opening in the feedback path, the current through the opto-coupler transistor becomes almost zero. Then V_{FB} climbs up in a similar manner to the overload situation, forcing the preset maximum current to be supplied to the SMPS until the overload protection is triggered. Because more energy than required is provided to the output, the output voltage may exceed the rated voltage before the overload protection is triggered, resulting in the breakdown of the devices in the secondary side. To prevent this situation, an OVP circuit is employed. In general, the V_{CC} is proportional to the output voltage and the FSGM0565R uses V_{CC} instead of directly monitoring the output voltage. If V_{CC} exceeds 24.5V, an OVP circuit is triggered, resulting in the termination of the switching operation. To avoid undesired activation of OVP during normal operation, V_{CC} should be designed to be below 24.5V.

4.5 Thermal Shutdown (TSD): The SenseFET and the control IC on a die in one package makes it easier for the control IC to detect the over temperature of the SenseFET. If the temperature exceeds $\sim 140^{\circ}C$, the thermal shutdown is triggered and the FSGM0565R stops operation. The FSGM0565R operates in auto-restart mode until the temperature decreases to around $110^{\circ}C$, when normal operation resumes.

5. Soft Burst-Mode Operation: To minimize power dissipation in standby mode, the FSGM0565R enters burst-mode operation. As the load decreases, the feedback voltage decreases. As shown in Figure 23, the device automatically enters burst mode when the feedback voltage drops below V_{BURL} (500mV). At this point, switching stops and the output voltages start to drop at a rate dependent on standby current load. This causes the feedback voltage to rise. Once it passes V_{BURH} (700mV), switching resumes. At this point, the drain current peak increases gradually. This soft burst-mode can reduce audible noise during burst-mode operation. The feedback voltage then falls and the process repeats. Burst-mode operation alternately enables and disables switching of the SenseFET, thereby reducing switching loss in standby mode.

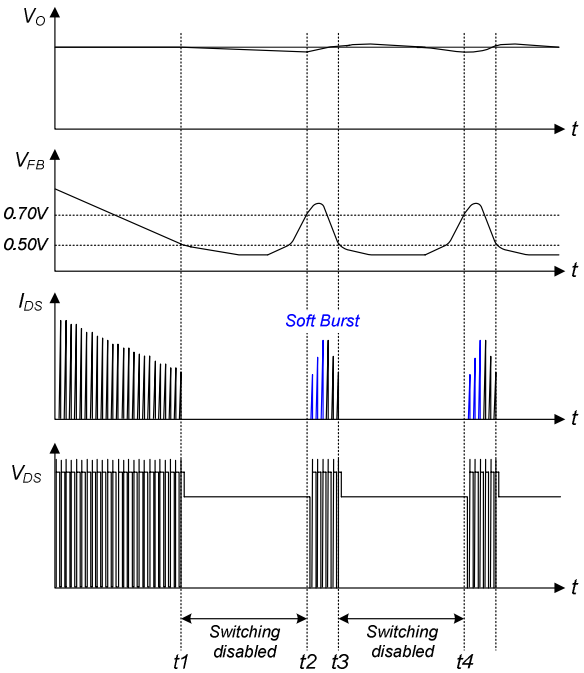


Figure 23. Burst-Mode Operation

Typical Application Circuit

| Application | Input Voltage | Rated Output | Rated Power |
|------------------------------|-------------------------|-------------------------|-------------|
| LCD TV, Monitor Power Supply | 85 ~ 265V _{AC} | 5.0V(2A) 14.0V(2.8A) | 49.2W |

Key Design Notes:

- The delay time for overload protection is designed to be about 40ms with C105 (33nF). OLP time between 25ms (22nF) and 50ms (43nF) is recommended.
- The SMD-type capacitor (C106) must be placed as close as possible to the VCC pin to avoid malfunction by abrupt pulsating noises and to improve ESD and surge immunity. Capacitance between 100nF and 220nF is recommended.

1. Schematic

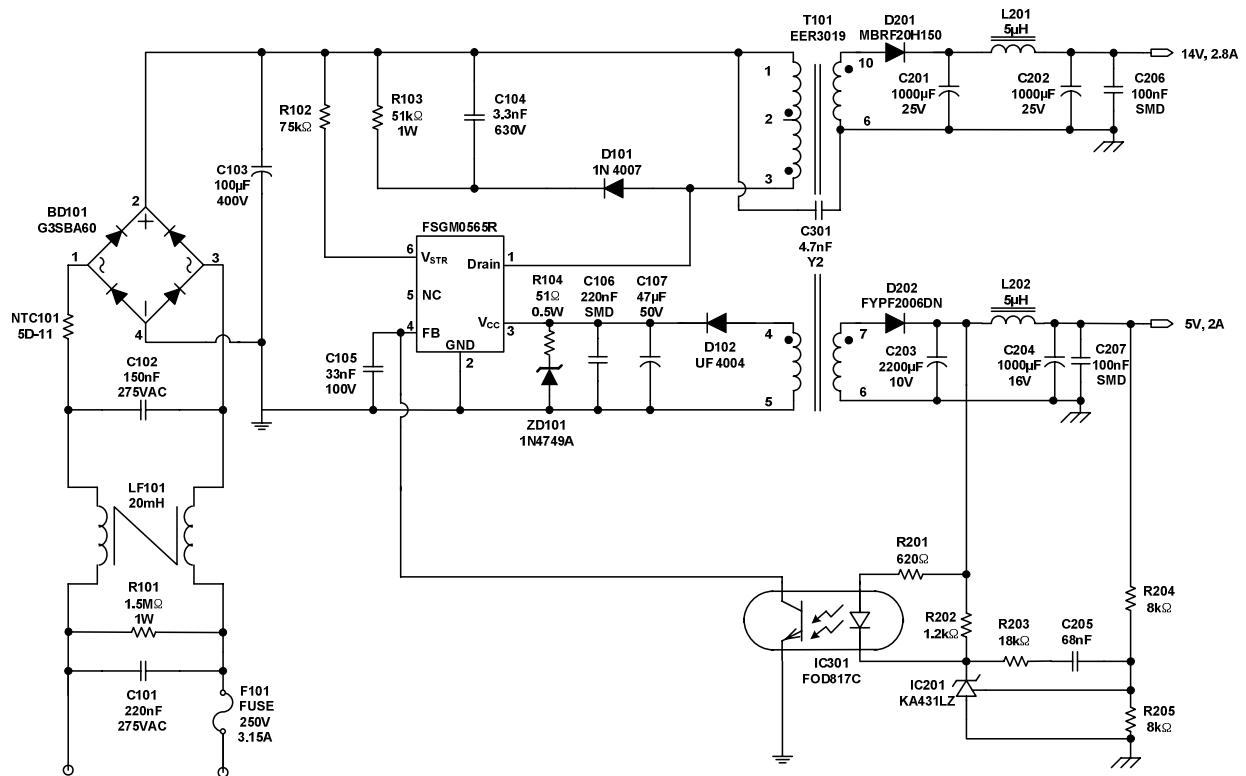


Figure 24. Schematic of Demonstration Board

2. Transformer

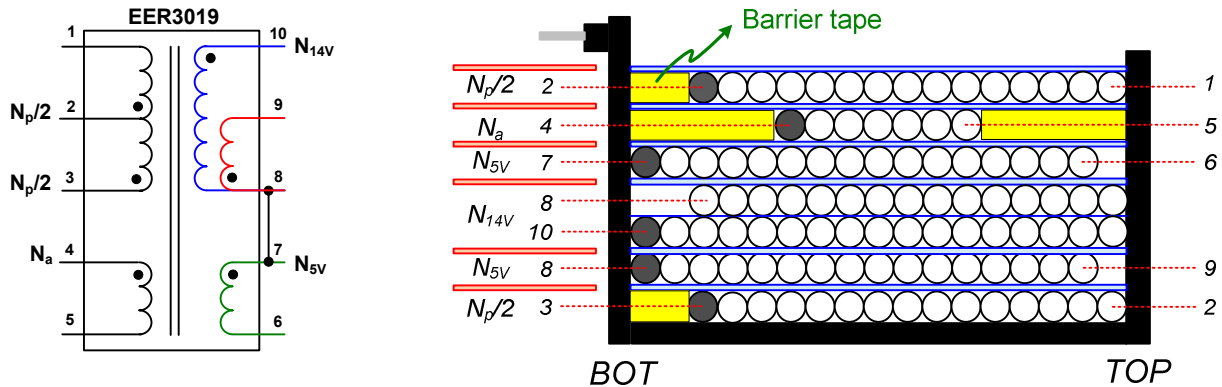


Figure 25. Schematic of Transformer

3. Winding Specification

| | Pin (S → F) | Wire | Turns | Winding Method | Barrier Tape | | |
|--|-------------|---------------------|-------|------------------|--------------|-------|----|
| | | | | | TOP | BOT | Ts |
| $N_p/2$ | 3 → 2 | 0.35 ϕ ×1 | 22 | Solenoid Winding | | 2.0mm | 1 |
| Insulation: Polyester Tape t = 0.025mm, 2 Layers | | | | | | | |
| N_{5V} | 8 → 9 | 0.4 ϕ ×3 (TIW) | 3 | Solenoid Winding | | | |
| Insulation: Polyester Tape t = 0.025mm, 2 Layers | | | | | | | |
| N_{14V} | 10 → 8 | 0.4 ϕ ×3 (TIW) | 5 | Solenoid Winding | | | |
| Insulation: Polyester Tape t = 0.025mm, 2 Layers | | | | | | | |
| N_{5V} | 7 → 6 | 0.4 ϕ ×3 (TIW) | 3 | Solenoid Winding | | | |
| Insulation: Polyester Tape t = 0.025mm, 2 Layers | | | | | | | |
| N_a | 4 → 5 | 0.15 ϕ ×1 | 7 | Solenoid Winding | 4.0mm | 4.0mm | 1 |
| Insulation: Polyester Tape t = 0.025mm, 2 Layers | | | | | | | |
| $N_p/2$ | 2 → 1 | 0.35 ϕ ×1 | 21 | Solenoid Winding | | 2.0mm | 1 |
| Insulation: Polyester Tape t = 0.025mm, 2 Layers | | | | | | | |

4. Electrical Characteristics

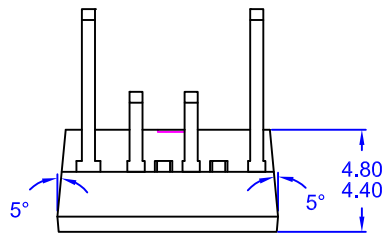
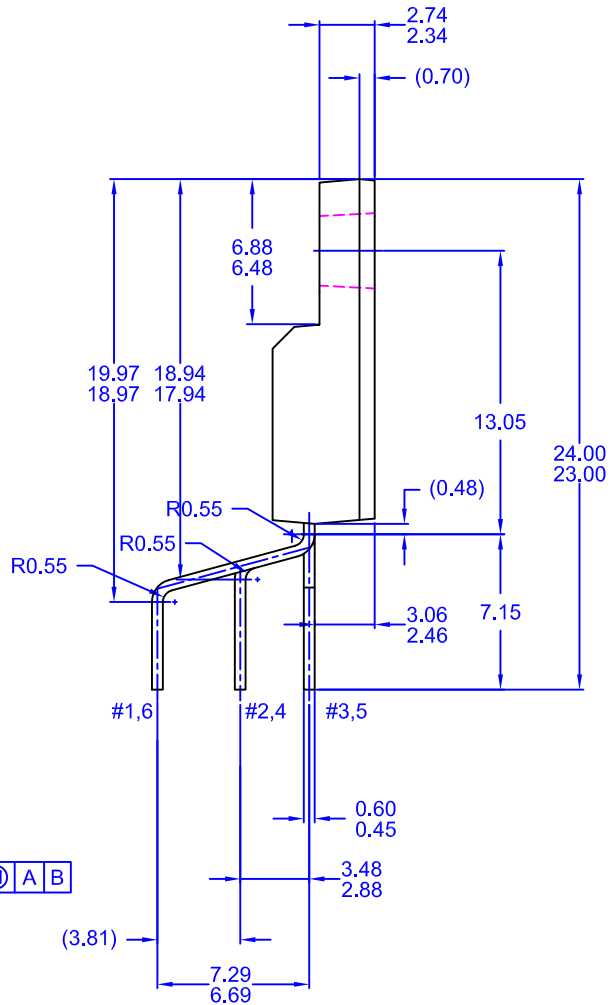
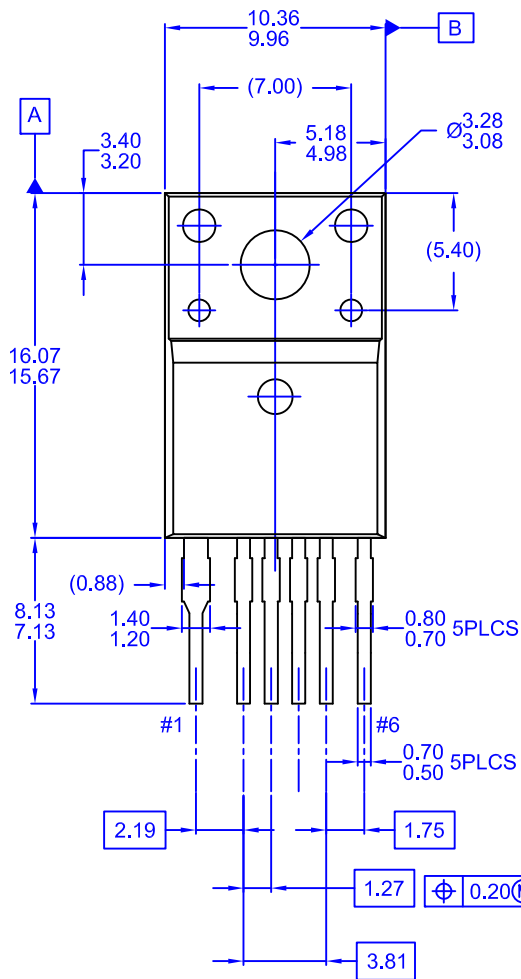
| | Pin | Specification | Remark |
|------------|-------|----------------------|----------------------|
| Inductance | 1 – 3 | 700 μ H \pm 7% | 67kHz, 1V |
| Leakage | 1 – 3 | 15 μ H Maximum | Short All Other Pins |

5. Core & Bobbin

- Core: EER3019 ($A_e=134.0\text{mm}^2$)
- Bobbin: EER3019

6. Bill of Materials

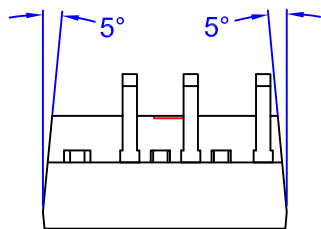
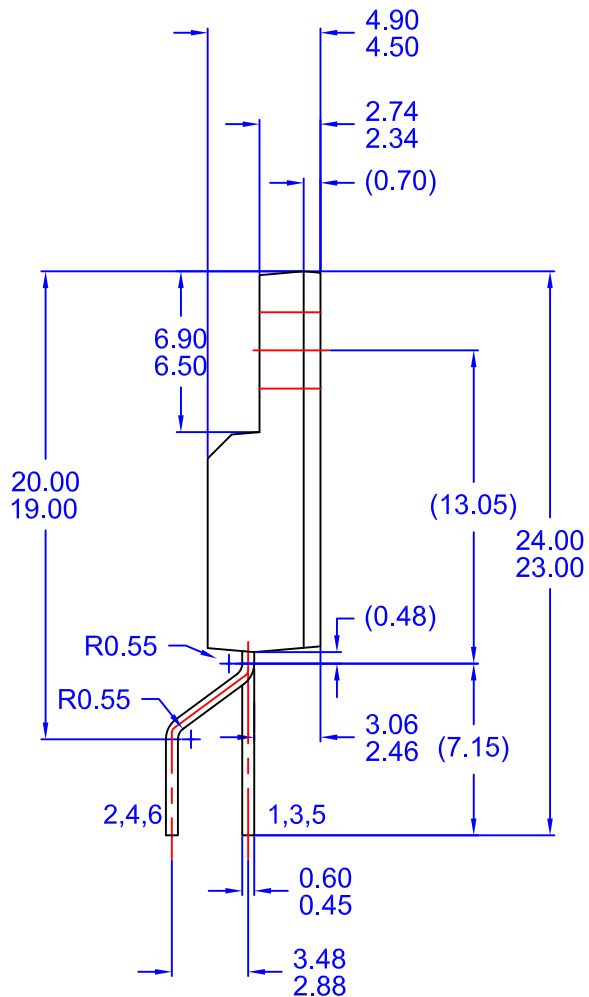
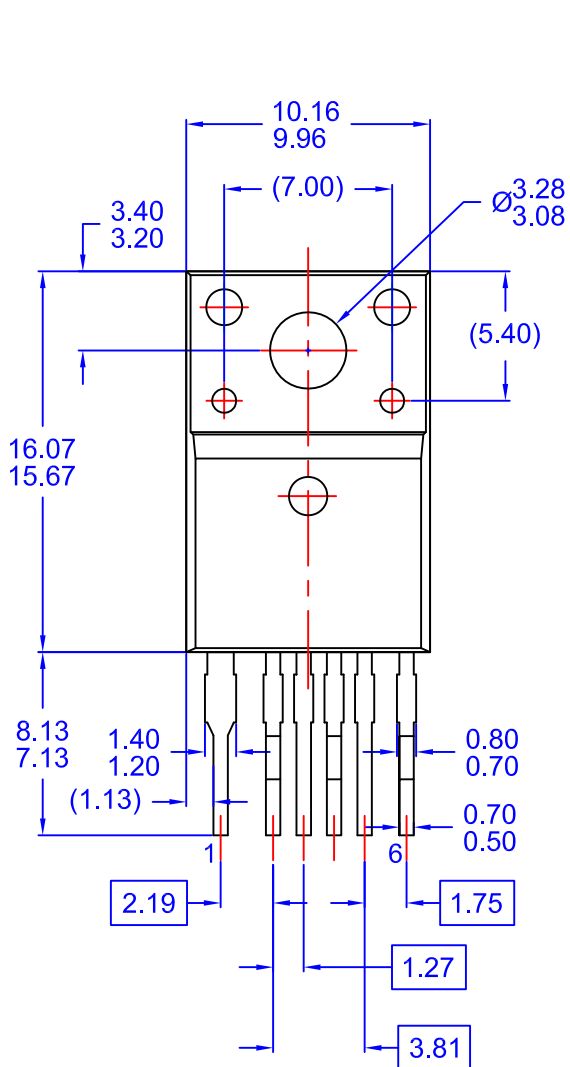
| Part # | Value | Note | Part # | Value | Note |
|-----------------|-------------------|-------------------------|--------------------|------------------|-----------------------------|
| Fuse | | | Capacitor | | |
| F101 | 250V 3.15A | | C101 | 220nF/275V | Box (Pilkor) |
| NTC | | | C102 | 150nF/275V | Box (Pilkor) |
| NTC101 | 5D-11 | DSC | C103 | 100 μ F/400V | Electrolytic (SamYoung) |
| Resistor | | | C104 | 3.3nF/630V | Film (Sehwa) |
| R101 | 1.5M Ω , J | 1W | C105 | 33nF/100V | Film (Sehwa) |
| R102 | 75k Ω , J | 1/2W | C106 | 220nF | SMD (2012) |
| R103 | 51k Ω , J | 1W | C107 | 47 μ F/50V | Electrolytic (SamYoung) |
| R104 | 51 Ω , J | 1/2W | C201 | 1000 μ F/25V | Electrolytic (SamYoung) |
| R201 | 620 Ω , F | 1/4W, 1% | C202 | 1000 μ F/25V | Electrolytic (SamYoung) |
| R202 | 1.2k Ω , F | 1/4W, 1% | C203 | 2200 μ F/10V | Electrolytic (SamYoung) |
| R203 | 18k Ω , F | 1/4W, 1% | C204 | 1000 μ F/16V | Electrolytic (SamYoung) |
| R204 | 8k Ω , F | 1/4W, 1% | C205 | 68nF/100V | Film (Sehwa) |
| R205 | 8k Ω , F | 1/4W, 1% | C206 | 100nF | SMD (2012) |
| IC | | | C207 | 100nF | SMD (2012) |
| FSGM0565R | FSGM0565R | Fairchild Semiconductor | C301 | 4.7nF/Y2 | Y-cap (Samhwa) |
| IC201 | KA431LZ | Fairchild Semiconductor | Inductor | | |
| IC301 | FOD817C | Fairchild Semiconductor | LF101 | 20mH | Line filter 0.7 \emptyset |
| Diode | | | L201 | 5 μ H | 5A Rating |
| D101 | 1N4007 | Vishay | L202 | 5 μ H | 5A Rating |
| D102 | UF4004 | Vishay | Jumper | | |
| ZD101 | 1N4749 | Vishay | J101 | | |
| D201 | MBR20150CT | Fairchild Semiconductor | Transformer | | |
| D202 | FYPF2006DN | Fairchild Semiconductor | T101 | 700 μ H | |
| BD101 | G3SBA60 | Vishay | | | |



NOTES:

- A) NO PACKAGE STANDARD APPLIES.
- B) DIMENSIONS ARE EXCLUSIVE OF BURRS, MOLD FLASH, AND TIE BAR EXTRUSIONS.
- C) DIMENSIONS ARE IN MILLIMETERS.
- D) DRAWING FILENAME : MKT-TO220F06REV3





- NOTES: UNLESS OTHERWISE SPECIFIED
 A) THIS PACKAGE DOES NOT COMPLY TO ANY CURRENT PACKAGING STANDARD.
 B) ALL DIMENSIONS ARE IN MILLIMETERS.
 C) DIMENSIONS ARE EXCLUSIVE OF BURRS, MOLD FLASH, AND TIE BAR EXTRUSIONS.
 D) LEADFORM OPTION A
 E) DRAWING FILENAME: TO220A06REV5



ON Semiconductor and  are trademarks of Semiconductor Components Industries, LLC dba ON Semiconductor or its subsidiaries in the United States and/or other countries. ON Semiconductor owns the rights to a number of patents, trademarks, copyrights, trade secrets, and other intellectual property. A listing of ON Semiconductor's product/patent coverage may be accessed at www.onsemi.com/site/pdf/Patent-Marking.pdf. ON Semiconductor reserves the right to make changes without further notice to any products herein. ON Semiconductor makes no warranty, representation or guarantee regarding the suitability of its products for any particular purpose, nor does ON Semiconductor assume any liability arising out of the application or use of any product or circuit, and specifically disclaims any and all liability, including without limitation special, consequential or incidental damages. Buyer is responsible for its products and applications using ON Semiconductor products, including compliance with all laws, regulations and safety requirements or standards, regardless of any support or applications information provided by ON Semiconductor. "Typical" parameters which may be provided in ON Semiconductor data sheets and/or specifications can and do vary in different applications and actual performance may vary over time. All operating parameters, including "Typicals" must be validated for each customer application by customer's technical experts. ON Semiconductor does not convey any license under its patent rights nor the rights of others. ON Semiconductor products are not designed, intended, or authorized for use as a critical component in life support systems or any FDA Class 3 medical devices or medical devices with a same or similar classification in a foreign jurisdiction or any devices intended for implantation in the human body. Should Buyer purchase or use ON Semiconductor products for any such unintended or unauthorized application, Buyer shall indemnify and hold ON Semiconductor and its officers, employees, subsidiaries, affiliates, and distributors harmless against all claims, costs, damages, and expenses, and reasonable attorney fees arising out of, directly or indirectly, any claim of personal injury or death associated with such unintended or unauthorized use, even if such claim alleges that ON Semiconductor was negligent regarding the design or manufacture of the part. ON Semiconductor is an Equal Opportunity/Affirmative Action Employer. This literature is subject to all applicable copyright laws and is not for resale in any manner.

PUBLICATION ORDERING INFORMATION

LITERATURE FULFILLMENT:

Literature Distribution Center for ON Semiconductor
19521 E. 32nd Pkwy, Aurora, Colorado 80011 USA
Phone: 303-675-2175 or 800-344-3860 Toll Free USA/Canada
Fax: 303-675-2176 or 800-344-3867 Toll Free USA/Canada
Email: orderlit@onsemi.com

N. American Technical Support: 800-282-9855 Toll Free
USA/Canada
Europe, Middle East and Africa Technical Support:
Phone: 421 33 790 2910
Japan Customer Focus Center
Phone: 81-3-5817-1050

ON Semiconductor Website: www.onsemi.com
Order Literature: <http://www.onsemi.com/orderlit>
For additional information, please contact your local
Sales Representative