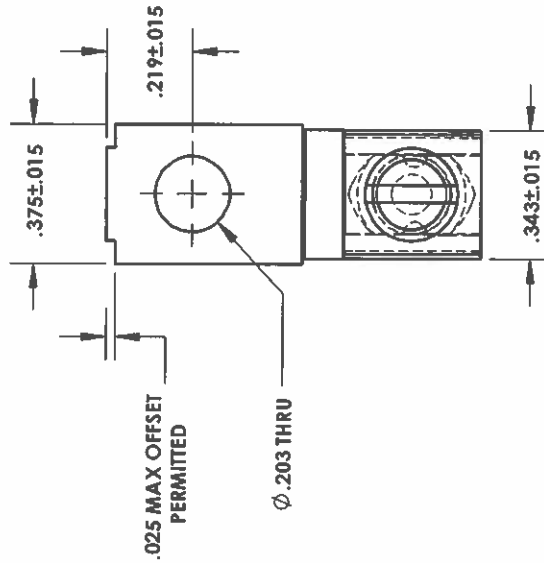
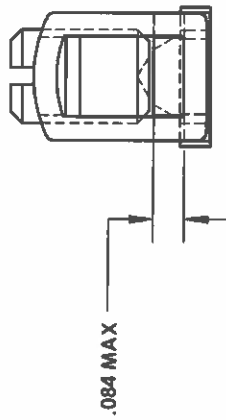
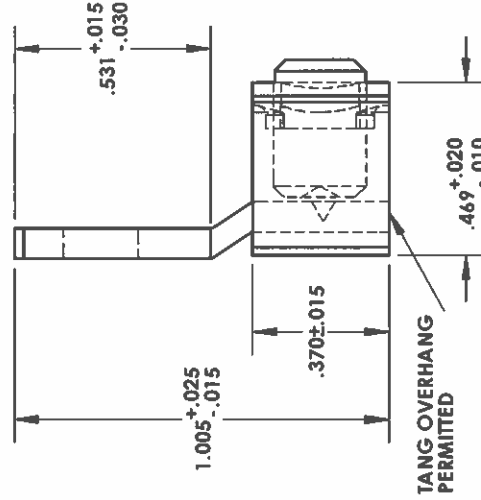
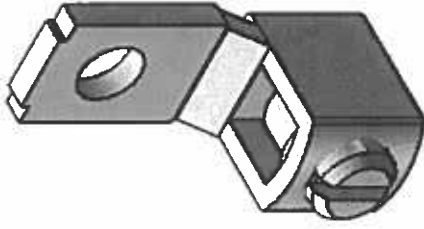


NOTES: UNLESS OTHERWISE SPECIFIED



ISOMETRIC



REV	ECO	DATE	BY	REVISION DESCRIPTION	SIZE	P/N	DWG NO.	DRW	AG	CHK	VP	SCALE	ECO	SHEET	OF
A	19012	12/01/14	FM	RELEASE DRAWING	A	19296		JULY/22/14				2:1	19012	1	2
<p>GENERAL TOLERANCE SPEC. XX ± .01 .XXX ± .005 ANGLES ± 1°</p> <p>CRYDOM/CS1 HAS PROPRIETARY RIGHTS TO THE INFORMATION CONTAINED HEREON. THIS INFORMATION REMAINS THE PROPERTY OF CRYDOM/CS1 AND MAY BE REPRODUCED OR USED ONLY IN ACCORDANCE WITH INSTRUCTIONS OR PERMISSION FROM CRYDOM/CS1. THIS DOCUMENT SHALL BE RETURNED TO CRYDOM/CS1 UPON REQUEST. USER SHOULD VERIFY DRAWINGS ARE THE MOST RECENT VERSION PRIOR TO USE.</p> <p>© 2013 CST/Crydom. All Rights Reserved</p>															
<p>CRYDOM/CS1 HAS PROPRIETARY RIGHTS TO THE INFORMATION CONTAINED HEREON. THIS INFORMATION REMAINS THE PROPERTY OF CRYDOM/CS1 AND MAY BE REPRODUCED OR USED ONLY IN ACCORDANCE WITH INSTRUCTIONS OR PERMISSION FROM CRYDOM/CS1. THIS DOCUMENT SHALL BE RETURNED TO CRYDOM/CS1 UPON REQUEST. USER SHOULD VERIFY DRAWINGS ARE THE MOST RECENT VERSION PRIOR TO USE.</p>															
<p>TERMINAL LUG, 6-14 AWG</p>															
<p>CRYDOM COMPANY CONFIDENTIAL DO NOT DUPLICATE</p>															

DIMENSIONS ARE IN INCHES UNLESS NOTED
• OR (S.T.) • DENOTES CRITICAL CHARACTERISTIC

ANY PRINTED COPY OF THIS DOCUMENT USED WITHIN CST/CRYDOM IS CONSIDERED UNCONTROLLED.