

SAFETY ORGANIZATIONS

THIS FILTER HAS BEEN FORMALLY RECOGNIZED, CERTIFIED OR APPROVED BY THE LISTED AGENCY. THEREFORE, ALL TEST/REQUIREMENTS SPECIFIED IN THE LATEST REVISION OF THE FOLLOWING AGENCY STANDARDS HAVE BEEN MET:

- RECOGNIZED: UL 1283
- CSA CERTIFIED: CSA 22.2, # 0.0.4.8
- VDE APPROVED: EN 133 200

OPERATING SPECIFICATIONS

LINE CURRENT/VOLTAGE: 12 AMP, 120/250 VAC,  
 12 AMP/40°C, 250 VAC

LINE FREQUENCY: 50-60Hz

MAXIMUM LEAKAGE CURRENT,  
 EACH LINE TO GROUND: 0.25 mA @120V 60Hz  
 0.40 mA @250V 50Hz

OPERATING AMBIENT TEMP. RANGE: -10°C TO +40°C @ RATED CURRENT, I<sub>r</sub>.

IN AN AMBIENT, T<sub>0</sub>, HIGHER THAN 40°C, THE MAXIMUM OPERATING CURRENT, I<sub>0</sub>, IS AS FOLLOWS:

$$I_0 = I_r \sqrt{\frac{85 - T_0}{45}}$$

RELIABILITY SPECIFICATIONS:

STORAGE TEMPERATURE: -40°C TO +85°C  
 HUMIDITY: 21 DAYS @ 40°C 95% RH.  
 CURRENT OVERLOAD TEST: 6 TIMES I<sub>r</sub> FOR 8 SECONDS

TEST SPECIFICATIONS:

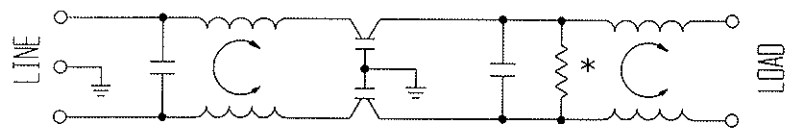
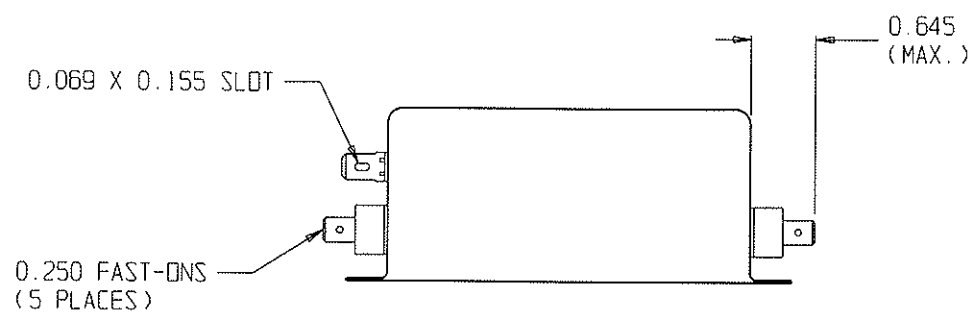
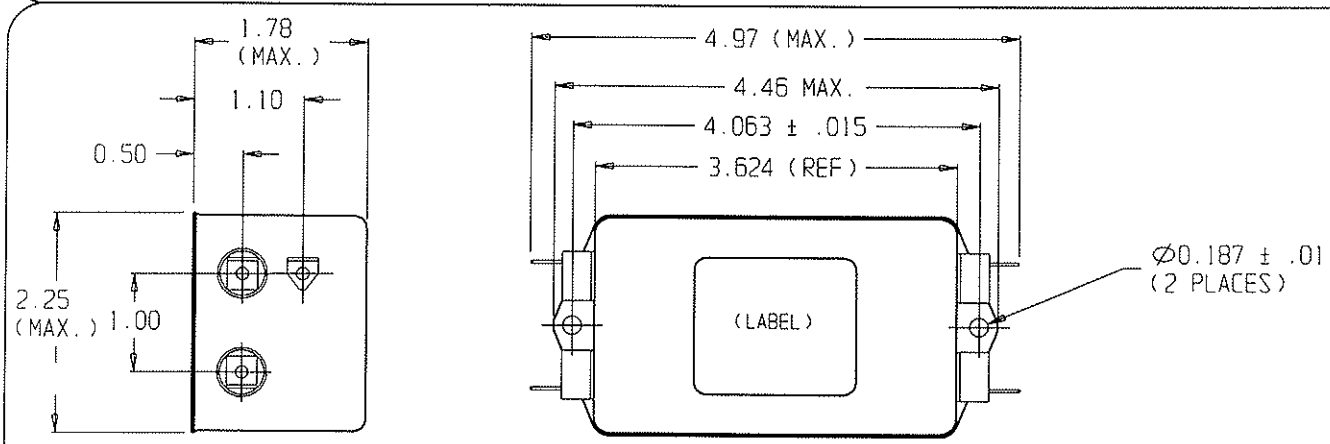
INDUCTANCE: 7.88mH NOMINAL  
 CAPACITANCE: (MEASURED @ 1KHz, 0.250VAC MAX., 25°C±1°C)  
 LINE TO GROUND: 0.0056 µF ±20%  
 LINE TO LINE: 2.0014 µF ±20%  
 DISCHARGE RESISTOR: 0.165MΩ  
 L/G AND L/L I.R.  
 NO DISCHARGE RESISTOR: 6000MΩ (MIN.) @ 100VDC, 20°C AND 50% RH

RECOMMENDED RECEIVING INSPECTION HIPOT:

LINE TO GROUND: 1500 VAC FOR 1 MINUTE  
 LINE TO LINE: 1450 VDC FOR 1 MINUTE

FILTER APPROVAL:

THE BEST WAY TO SELECT AND QUALIFY A FILTER IS FOR YOUR ENGINEERING TO TEST THE UNIT IN YOUR EQUIPMENT.



\* RESISTOR LOCATION OPTIONAL

50Ω - 50Ω (MINIMUM) INSERTION LOSS

ENCL. Z	.01	.04	.05	.15	.5	1	5	10	20	30
COMMON dB	12	9	7	52	68	70	70	70	70	45
DIFF. dB	11	20	7	43	70	70	70	65	45	45

THIRD ANGLE PROJECTION

UNLESS OTHERWISE SPECIFIED, TOLERANCE TO BE ±.025  
 MATERIAL & FINISH: AS SUPPLIED

This document is proprietary to CORCOM INC. and is not to be reproduced nor used for manufacturing purposes except on CORCOM'S prior written consent.

**tyco** / **Electronics** **corcom**  
 844 E. ROCKLAND RD. LIBERTYVILLE IL 60048

**POWER LINE FILTER**

CAD FILE: I G / CO / 12EP101	TYCO: 2-6609037-6
SCALE: NTS	DATE: 25OCT04
DRW. BY: PJO	ORIG: PJO
CATALOG NO. 12EP1	REV. 1