

1. Scope

The present specifications shall apply to an AU02Z.

2. Outline

Type	Silicon Diode
Structure	Resin Molded
Applications	High Frequency Rectification

3. Flammability

UL94V-0(Equivalent)

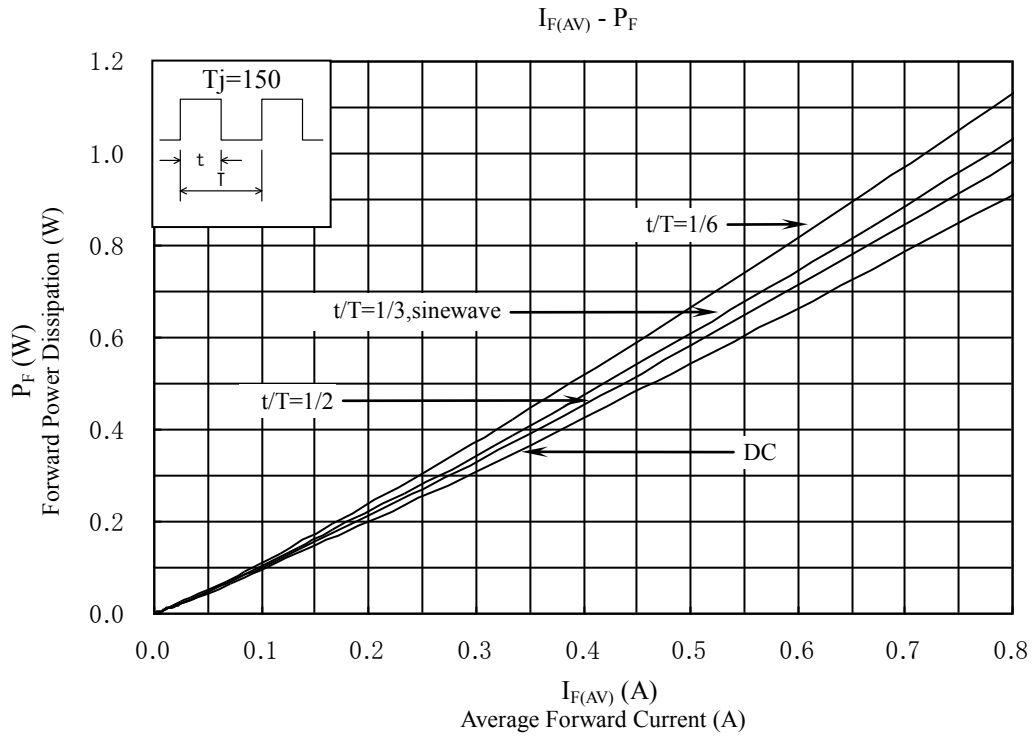
4. Absolute maximum ratings

No.	Item	Symbol	Unit	Rating	Conditions
1	Transient Peak Reverse Voltage	V_{RSM}	V	250	
2	Peak Reverse Voltage	V_{RM}	V	200	
3	Average Forward Current	$I_{F(AV)}$	A	0.8	Refer to Derating of 7
4	Peak Surge Forward Current	I_{FSM}	A	25	10msec. Half sinewave, one shot
5	I^2t Limiting Value	I^2t	A^2s	3.13	$1msec \leq t \leq 10msec$
6	Junction Temperature	T_j	$^{\circ}C$	-40~+150	
7	Storage Temperature	T_{stg}	$^{\circ}C$	-40~+150	

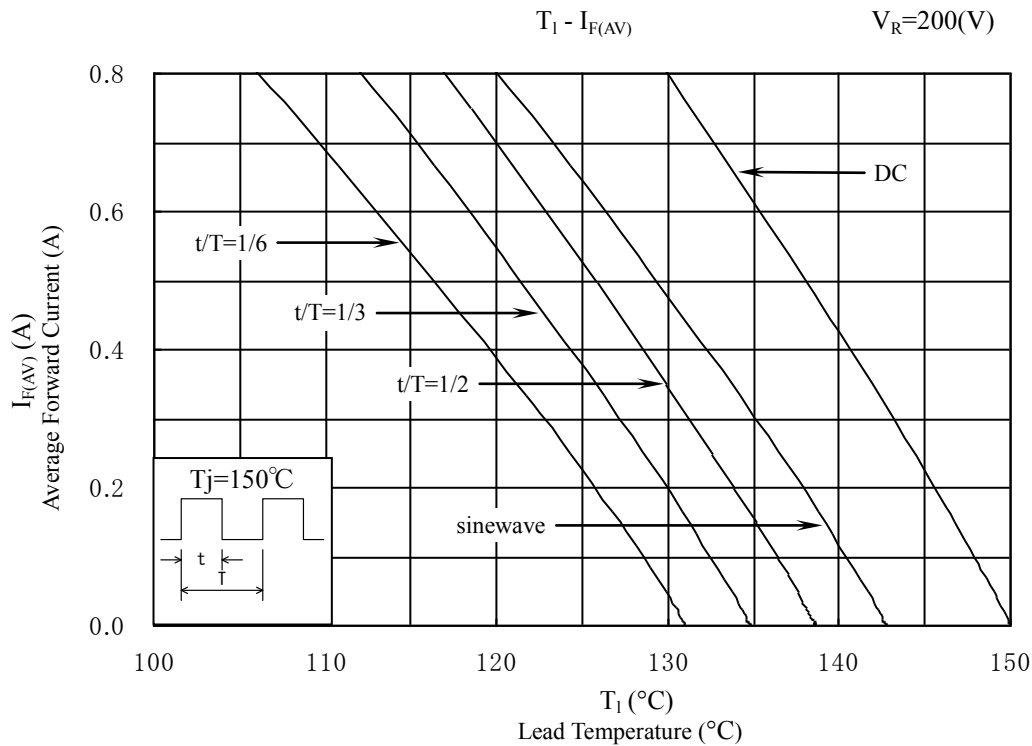
5. Electrical characteristics

No.	Item	Symbol	Unit	Value	Conditions
1	Forward Voltage Drop	V_F	V	1.3 max.	$I_F=0.8A$
2	Reverse Leakage Current	I_R	μA	10 max.	$V_R=V_{RM}$
3	Reverse Leakage Current Under High Temperature	$H \cdot I_R$	μA	250 max.	$V_R=V_{RM}, T_j=100^{\circ}C$
4	Reverse Recovery Time	t_{rr1}	nS	400 max.	$I_F=I_{RP}=10mA$ 90% Recovery point, $T_j=25^{\circ}C$
		t_{rr2}	nS	180 max.	$I_F=10mA, I_{RP}=20mA$ 75% Recovery point, $T_j=25^{\circ}C$
5	Thermal Resistance	$R_{th(j-l)}$	$^{\circ}C/W$	22 max.	Between Junction and Lead

6. Characteristics

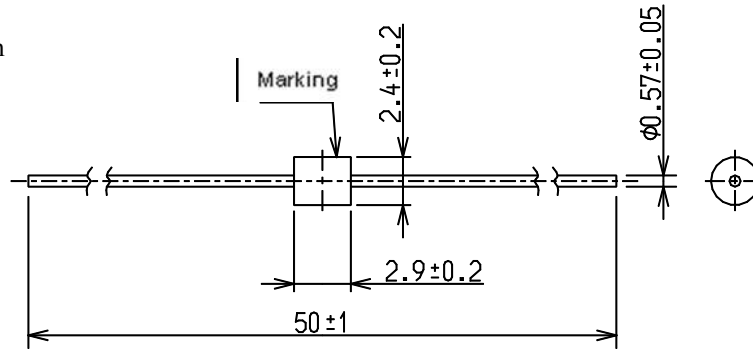


7. Derating



8. Package information

8-1 Dimensions



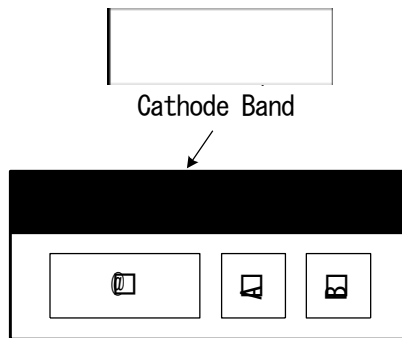
Dimensions in mm

- ※1 The allowance position of Body against the center of whole lead wire is 0.5mm(max.)
- ※2 The centric allowance of lead wire against center of physical body is 0.2mm(max.)
- ※3 The burr may exit up to 2mm from the body of lead
- ※4 Whole lead wire is 62.0 ± 1.0 , with 52mm taping.

8-2 Appearance

The body shall be clean and shall not bear any stain, rust or flaw.

8-3 Marking



- ① Type number: AU01Z is abbreviated as UZ
- ② Lot number 1
Last digit of Year
- ③ Lot number 2
Month
From 1 to 9 for Jan. to Sep.
O for Oct., N for Nov., and D for Dec.