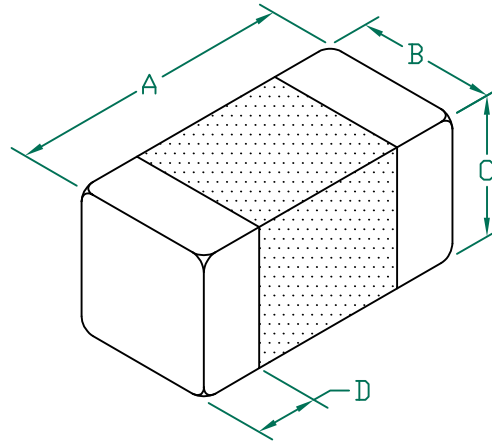


IC0805A472R-10

UNCONTROLLED DOCUMENT

PHYSICAL DIMENSIONS:

- A 2.00 [.079] \pm 0.20[.008]
- B 1.25 [.049] \pm 0.20[.008]
- C 1.25 [.049] \pm 0.20[.008]
- D 0.50 [.020] \pm 0.30[.012]

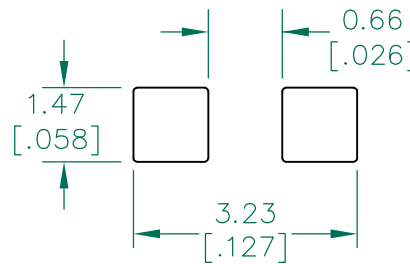


ELECTRICAL CHARACTERISTICS:

L (nH) \pm 10%	5,170	Max
	4,700	Nom
	4,230	Min@ 30Ma
Q (Min)	45	
Freq. (MHz)	10	
Self-Resonant Freq (MHz)	35	
DCR(Max) Ω	1.00	
I (Max)	150mA	
I (Operating)	30mA	

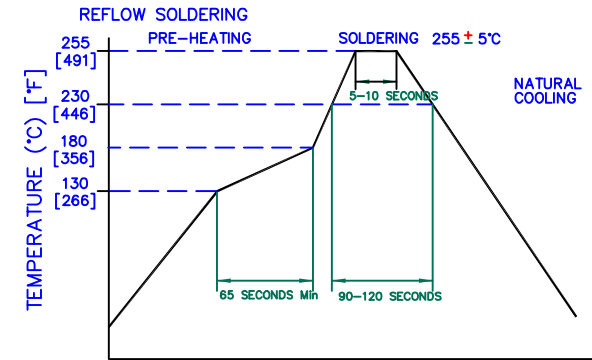
- NOTES: UNLESS OTHERWISE SPECIFIED
- TAPED AND REELED per CURRENT EIA SPECIFICATIONS 7" REELS, 2000 PCS/REEL, EMBOSSED PLASTIC TAPE.
 - TERMINATION FINISH IS 100% MATTE Sn OVER Ni.
 - COMPONENTS SHOULD BE ADEQUATELY PREHEATED BEFORE SOLDERING.
 - I (MAX.) IS BASED ON THE MAXIMUM SUSTAINED CURRENT APPLIED WHILE MAINTAINING A MAXIMUM TEMPERATURE RISE OF 40° C OVER AMBIENT.
 - I (OPERATING.) IS BASED ON THE MAXIMUM SUSTAINED CURRENT APPLIED WHILE MAINTAINING A MINIMUM INDUCTANCE (L).
 - OPERATING TEMP. RANGE: -40°C~+125°C. (INCLUDING SELF-HEATING)

LAND PATTERNS FOR REFLOW SOLDERING



(For wave soldering, add 0.762[.030] to this dimension)

RECOMMENDED SOLDERING CONDITIONS



DIMENSIONS ARE IN mm [INCHES].				This print is the property of Laird Tech. and is loaned in confidence subject to return upon request and with the understanding that no copies shall be made without the written consent of Laird Tech. All rights to design or invention are reserved.				
D	ADD OPERATING TEMPERATURE UPDATE LAIRD LOGO AND REFLOW CURVE	08/05/13	QU	PROJECT/PART NUMBER: IC0805A472R-10		REV D	PART TYPE: CO-FIRE	DRAWN BY: JRK
C	UPDATE COMPANY LOGO	06/20/08	JRK	DATE: 05/06/04		SCALE: NTS	SHEET: 2 of 2	
B	REMOVE KO FROM P/N CHG SRF VALUE UPDATE NOTES, REV LAND PATTERN DIMS, ADD OPERATING TEMP TO ELECTRICAL	01/17/07	JRK	CAD #				
A	ORIGINAL DRAFT	05/06/04	JRK	TOOL #				
REV	DESCRIPTION	DATE	INT	IC0805A472R-10-D				