

3EHT1

SAFETY ORGANIZATION(S) :

THIS FILTER HAS BEEN FORMALLY RECOGNIZED, CERTIFIED OR APPROVED BY THE LISTED AGENCY. THEREFORE, ALL TEST/REQUIREMENTS SPECIFIED IN THE LATEST REVISION OF THE FOLLOWING AGENCY STANDARDS HAVE BEEN MET.

UL RECOGNIZED	UL 544
CSA CERTIFIED	CSA 22.2, NO.0,0.4,8
VDE APPROVED	VDE 0565-3
SEV PENDING	

OPERATING SPECIFICATIONS:

LINE VOLTAGE/CURRENT: 3 AMP, 120/250 VAC
 2.75 AMP./40°C, 250 VAC

LINE FREQUENCY: 50-60Hz

MAX. LEAKAGE CURRENT, EACH:
 LINE TO GROUND, 2 μ A at 120V 60Hz
 5 μ A at 250V 50Hz

OPERATING AMBIENT TEMP. RANGE: -10°C TO +40°C @ RATED CURRENT, I_r

IN AN AMBIENT, T_a , HIGHER THAN 40°C, THE MAXIMUM OPERATING CURRENT, I_o , IS AS FOLLOWS,

$$I_o = I_r \sqrt{\frac{85 - T_a}{45}}$$

RELIABILITY SPECIFICATIONS:

STORAGE TEMPERATURE: -40°C TO +85°C
 HUMIDITY: 21 DAYS @ 40°C 95% RH
 CURRENT OVERLOAD TEST: 6 TIMES RATED CURRENT FOR 8 SECONDS

TEST SPECIFICATIONS:

INDUCTANCE: 36.8 mH NOMINAL
 CAPACITANCE: (MEASURED @ 1 KHz, 0.25VAC MAX., 25°C±1°C)

LINE TO LINE: .94 μ F ±20%
 DISCHARGE RESISTOR: 330 K Ω

LINE/GROUND AND LINE/LINE, 6000 Ω (MIN) AT 100VDC
 INSULATION RESISTANCE: 20°C AND 50% RH

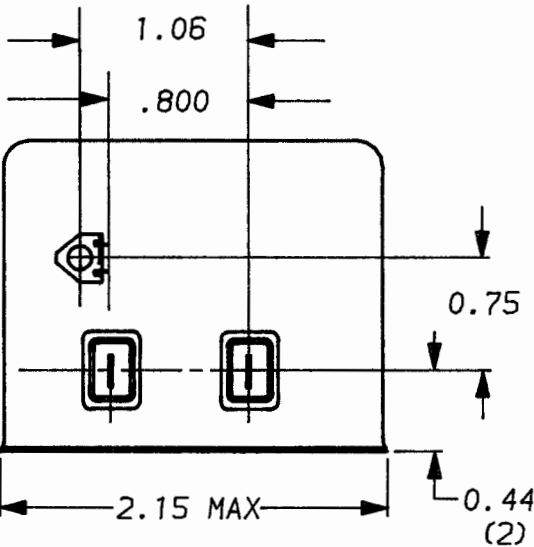
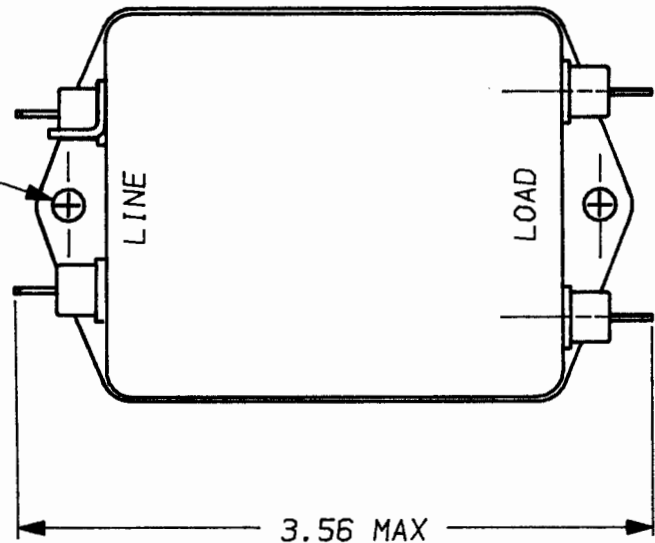
RECOMMENDED RECEIVING INSPECTION HIPOT:

LINES TO GROUND: 2250 VDC FOR 1 MINUTE
 LINE TO LINE: 1450 VDC FOR 1 MINUTE

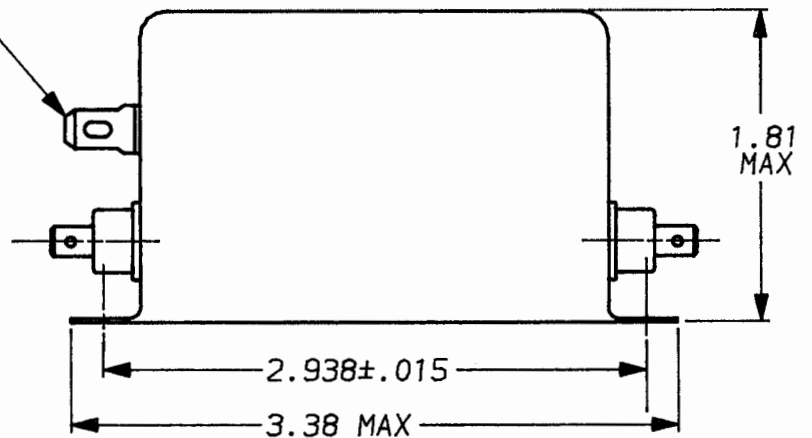
FILTER APPROVAL:

THE BEST WAY TO SELECT AND QUALIFY A FILTER IS FOR YOUR ENGINEERING TO TEST THE UNIT IN YOUR EQUIPMENT.

0.187±.010DIA
(2)



0.069 X 0.155 SLOT



50n - 50n (MINIMUM) INSERTION LOSS

FREQUENCY MHz	.01	.03	.05	.15	.5	1	2	5	8	10	20	30
COMMON dB	22	32	36	49	46	40	30	22	20	12	12	12
DIFF. dB	3	1	30	61	70	65	65	48	40	40	32	32

UNLESS OTHERWISE SPECIFIED,
 TOLERANCE TO BE ±.025
 MATERIAL & FINISH: AS SUPPLIED

This document is proprietary to CORCOM INC.
 and is not to be reproduced nor used for
 manufacturing purposes except on CORCOM'S
 prior written consent.

corcom
LIBERTYVILLE, IL 60048

POWER LINE FILTER

DATE: 10-4-03 CATALOG NO.

APPRVD: TAM

3EHT1

CAD NO. 3EHT1.01