

CASE FINISH	CURRENT (AMPS)	WORKING VOLTAGE				MAXIMUM DC RESISTANCE (OHMS)	MAXIMUM VOLTAGE DROP		MINIMUM CAPACITANCE (uF)	MIN. INSERTION LOSS PER MIL-STD-220, FULL LOAD, +25°C												
		-55°C TO +85°C		-55°C TO +125°C			DC	AC		14 KHz	30 KHz	50 KHz	75 KHz	100 KHz	150 KHz	300 KHz	500 KHz	1 MHz	10 MHz	100 MHz	1 GHz	10 GHz
		AC	DC	AC	DC					---	---	---	---	28	---	59	---	80	80	---	80	---
SOLDER	1	---	150	---	100	0.25	0.18	---	xxx	---	---	---	---	28	---	59	---	80	80	---	80	---

PART MARKING:

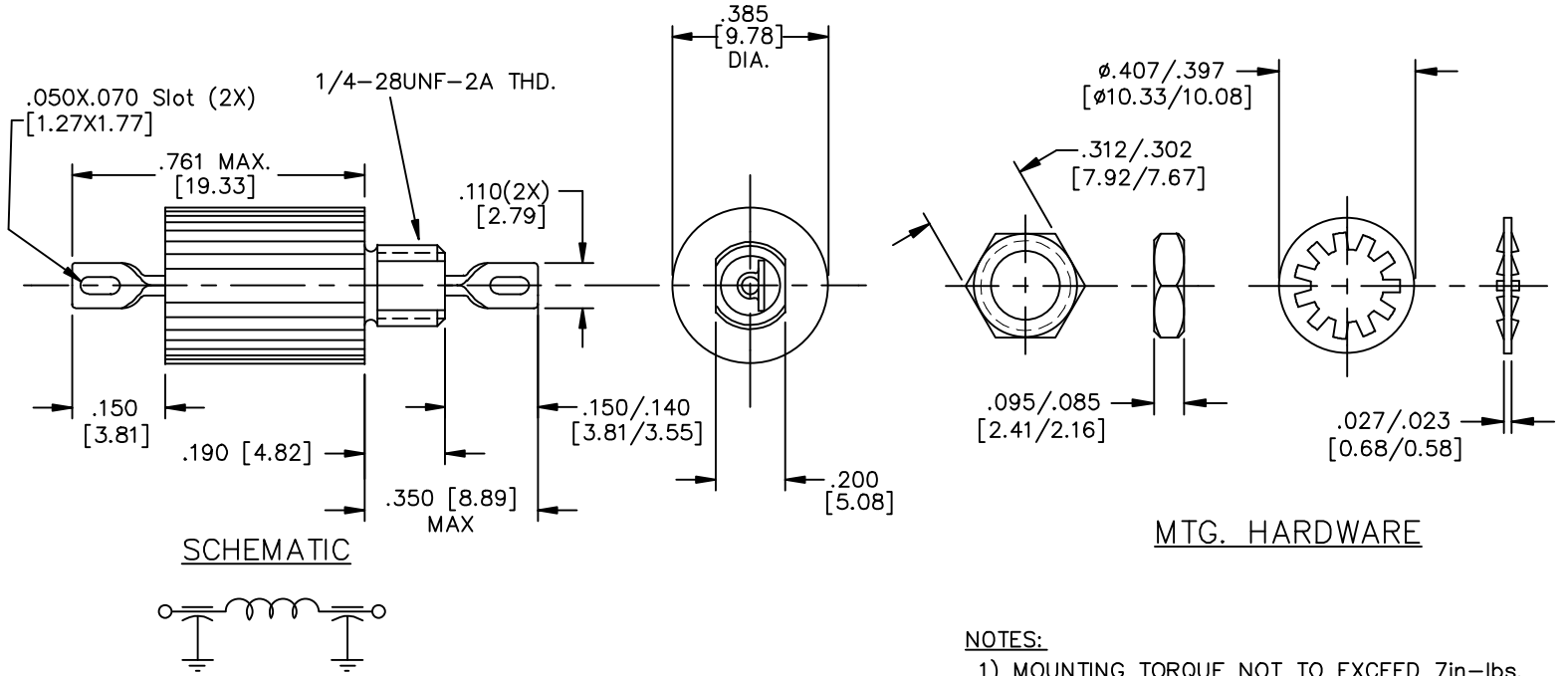
9001-100-1013
SCI DATE CODE


PACKAGE MARKING:

STANDARD

MARKING NOTES:

N/A



														CN 12090-CPD 19	REV. NO.	UNLESS OTHERWISE SPECIFIED DIMENSIONS ARE IN INCHES. [MILLIMETERS] DO NOT SCALE.	TOLERANCES UNLESS OTHERWISE SPECIFIED Fractions ± Dec. .xx± Dec. .xxx±.010 Angles ±0° 30'	 SPECTRUM CONTROL INC. Dwn. KAUFFMAN Date 8-2-04 Engr. K. Wood Sheet 1 of 1	FAIRVIEW PENNSYLVANIA Description Filter COAX, Pi 9001-100-1013
														REDRAWN	CHANGE NOTICE				

Quality Products From The Specialists In Electro-Magnetic Compatibility