

# CGA4J3X5R1A685M125AB

TDK Item Description : CGA4J3X5R1A685MT\*\*\*\*



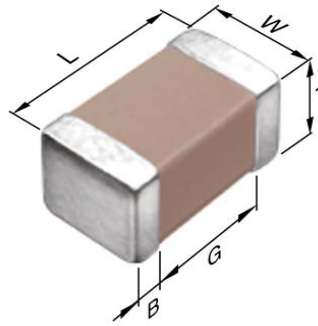
Equivalent C2012X5R1A685M for Automotive

## Application & Main Feature

Automotive Grade ( General (Up to 50V) )

## Series

CGA4(2012) [EIA CC0805]



## Dimensions

- L 2.00mm +/-0.2mm
- W 1.25mm +/-0.2mm
- T 1.25mm +/-0.2mm
- B 0.20mm Min.
- G 0.50mm Min.

## Temperature Characteristic

X5R (-55 to 85 degC +/-15%)

## Rated Voltage

1A (10Vdc)

## Capacitance

6.8uF

## Capacitance Tolerance

M (+/-20%)

## Dissipation Factor

10% Max.

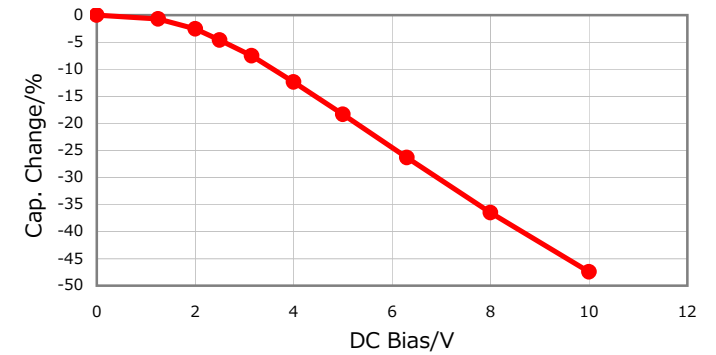
## Insulation Resistance

14Mohm Min.

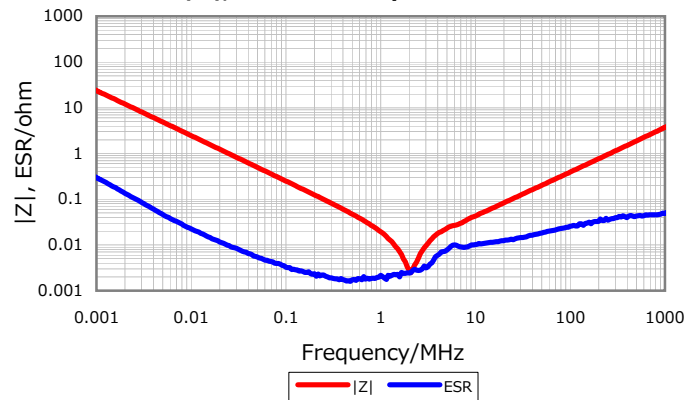
## AEC-Q200

Yes

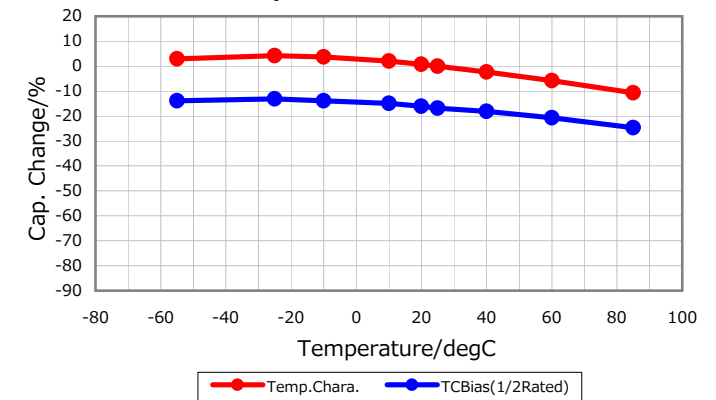
## DC Bias Characteristic



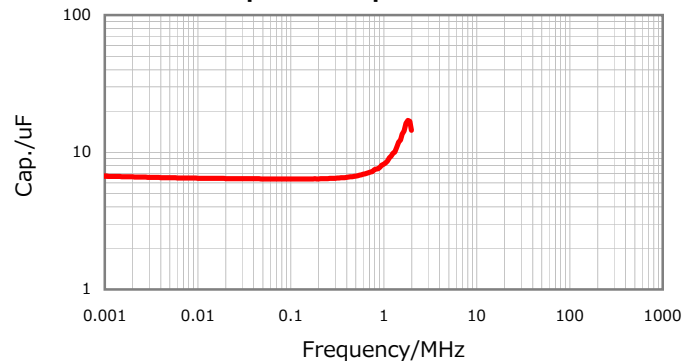
## |Z|, ESR vs. Freq. Characteristics



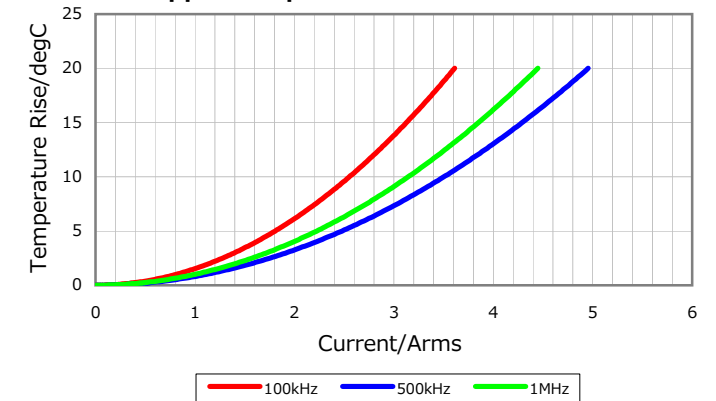
## Temperature Characteristics



## Cap. vs. Freq. Characteristic



## Ripple Temperature Rise Characteristics



Characterization Sheet ( Multilayer Ceramic Chip Capacitors )



All specifications are subject to change without notice.

January 4, 2016