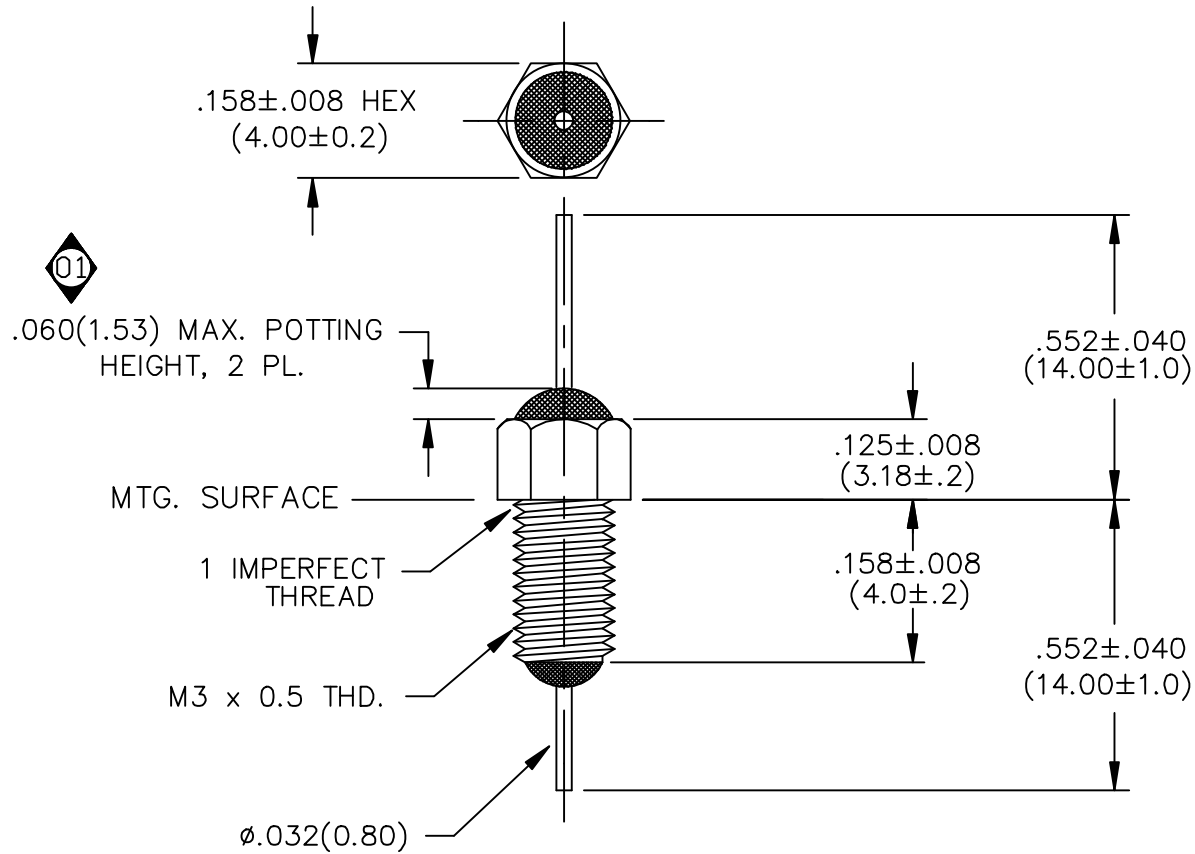
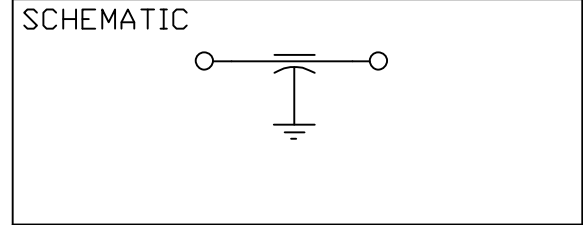



NOTES:
1. HARDWARE IS NOT INCLUDED.



LEAD FINISH:	SILVER PL.
BUSHING FINISH:	SILVER PL.
CAPACITANCE	100pF
TEMP. RANGE	-55°C TO 125°C
CURRENT	10 AMP MAX.
WORKING VOLTAGE	100 VDC MAX.
D.C. RESISTANCE	.01ohms MAX.
DIELECTRIC WITHSTANDING VOLTAGE	250 VDC



MARKING:
PART: S863005
BAG:
54-863-005
DATE CODE
LOT NO.
QTY/BAG (200 MAX.)

	01	REV. NO.	TOLERANCES UNLESS OTHERWISE SPECIFIED	 ERIE, FAIRVIEW PENNSYLVANIA SPECTRUM CONTROL INC.
	00	CHANGE NOTICE	Fractions ± 1/64	
CN. 211204			Dec. .xx±	Dwn. KRDZALIC
CN. 199071			Dec. .xxx±.010	Ckd. 12/06/00
			Angles ±0° 30'	Apvd.
			CODE IDENT. NO. DLSP2	Scale NONE
				Description FT
				RESIN SEAL FILTER
				54-863-005