



# GE Sensing

A COMMITMENT TO EXCELLENCE

GE Sensing, Crown Industrial Estate, Priorswood Road, Taunton, Somerset, TA2 8QY, UK  
Tel +44 (0) 1823 335200 Fax +44 (0) 1823 332637

<b>TEST SPECIFICATION</b>	PART No. <b>YS5876PTF</b>	ISSUE: A
CUSTOMER: <b>Various</b>	DATE: <b>24<sup>th</sup> February, 2010</b>	QUANTITY:
Customer P/N:	ORIGINATOR: <b>M.J.Roberts</b>	PAGE 1 OF 1

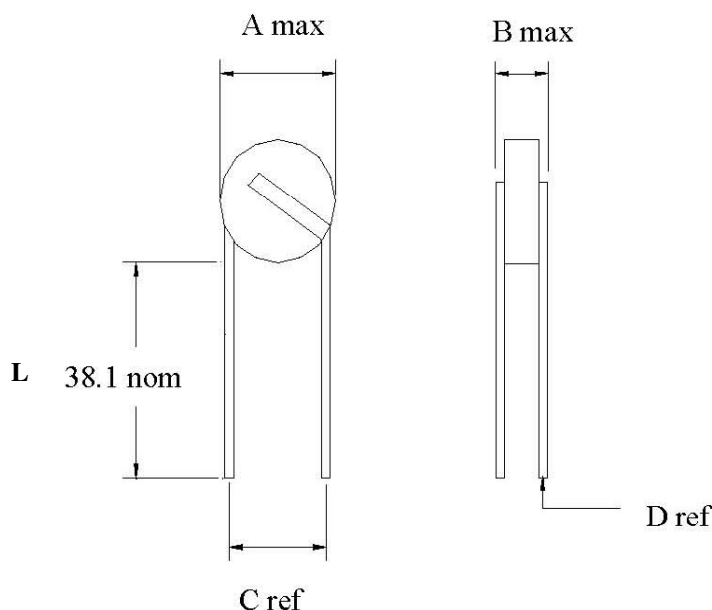
**DESCRIPTION:** PTC THERMISTOR INTENDED FOR USE AS A CURRENT LIMITING PROTECTION DEVICE

## MECHANICAL SPECIFICATION

CONSTRUCTION: BARE CERAMIC DISC WITH UNINSULATED LEADWIRES.  
THICK FILM SILVER ELECTRODES

TERMINATIONS: STRAIGHT TYPE, TIN COATED COPPER WIRE

DIMENSIONS in mm: SEE DRAWING BELOW.



A (max) mm	B (max) mm	C (ref.) mm	D (ref) mm	L (min) mm
16.5	6.9	8.4	1.0	38.1

## ELECTRICAL SPECIFICATION:

RESISTANCE AT 25°C, R <sub>25</sub> :	50 ± 20%	(1)
SWITCHING TEMPERATURE, T <sub>b</sub> :	120°C ± 10°C	(2)
MAXIMUM CURRENT WITHOUT TRIPPING (Int), T <sub>amb</sub> =25°C	140mA	(3)
..... T <sub>amb</sub> =55°C	100mA	
MINIMUM TRIP CURRENT (I <sub>t</sub> ), T <sub>amb</sub> =25°C:	210mA	
MAXIMUM OPERATING VOLTAGE, V <sub>max</sub> :	240V	
AMBIENT TEMPERATURE RANGE,		
STORAGE	- 25 to + 155°C	
AT MAXIMUM VOLTAGE	- 10 to + 55°C	

## NOTES:

- (1) Measuring Current: 1mA max.
- (2) Resistance – 2 x Resistance minimum
- (3) Voltage limit of supply 245V<sub>rms</sub>; duration 10 min; still air

CHANGES SINCE LAST ISSUE: Δ							
Issue :	A						
Date :	24/02/10						

The copyright in this Specification/Drawing/Document is the property of Thermometrics and the Specification/Drawing/Document is issued on the condition that it is not copied, reprinted, stored in an electronic retrieval system or reproduced, nor its contents disclosed either wholly or in part to any Third Party without either the consent in writing of or in accordance with the conditions of a contract with Thermometrics@GE THERMOMETRICS.